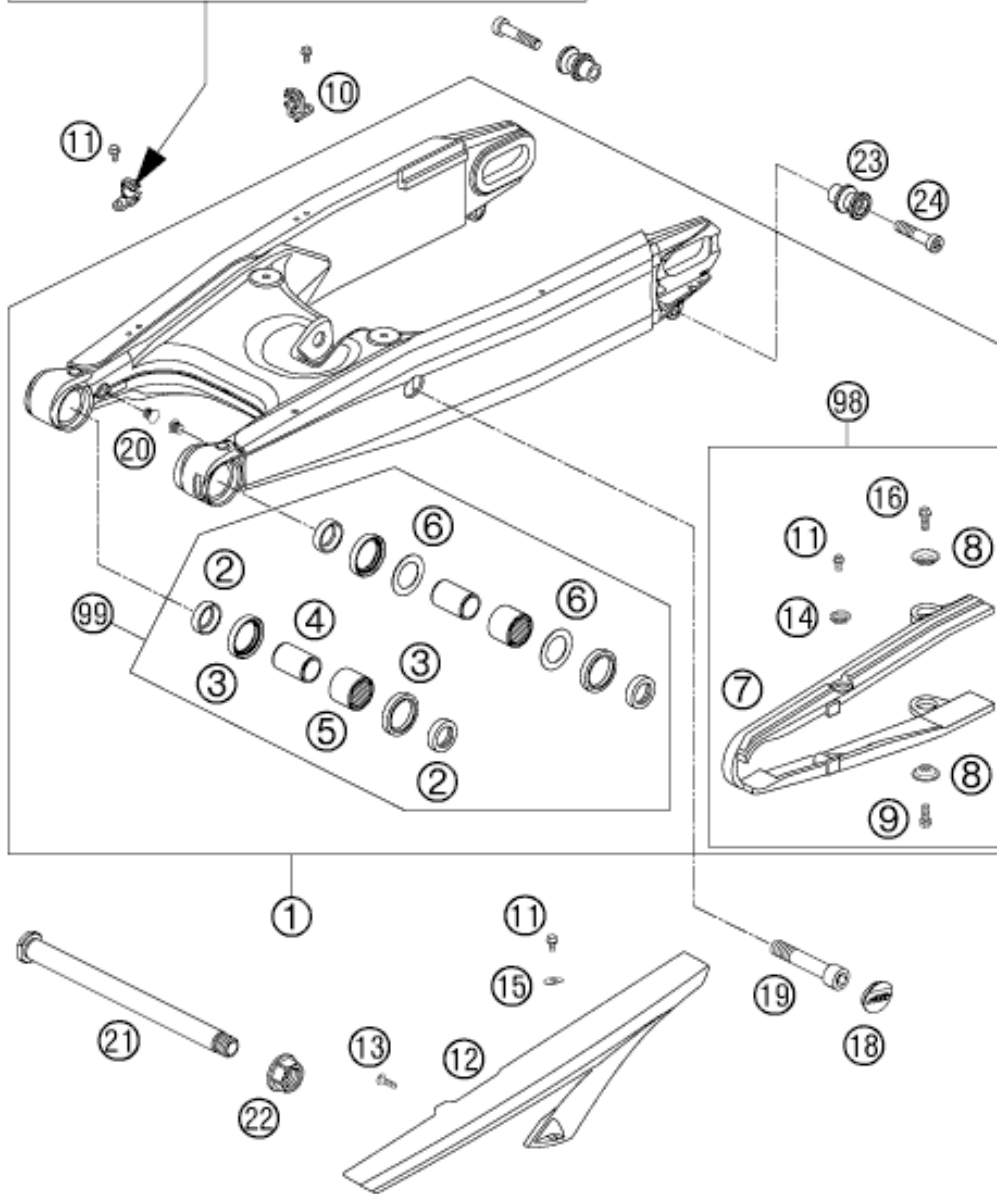


! **VORSICHT / WARNING**
MONTAGE-RICHTUNG / MOUNTING DIRECTION



| Pos | Part Number | Description | Additional Text | Quantity |
|-----|---------------|--------------------------------|----------------------|----------|
| 1 | 6100403004433 | SWING ARM CPL. SM-R SD-R 07 | | 1.00 |
| 2 | 60004034000 | Bucket f. shaft seal ring 03 | | 4.00 |
| 3 | 0760304073 | Radial shaft seal 30X40X7 | | 4.00 |
| 4 | 60004032000 | INNER RING JR20X25X38,5 03 | | 2.00 |
| 5 | 60004031000 | NEEDLE BUSH HK2526B 03 | | 2.00 |
| 6 | 60004033000 | Stop disk 03 | | 2.00 |
| 7* | 63004066100 | CHAIN SLID.GUARD SWINGARM 10 | | 1.00 |
| 8 | 72210079000 | BUCKET | | 2.00 |
| 9 | 59009062013 | SPECIAL SCREW M6X13 WS=8 10.9 | | 1.00 |
| 10 | 5461107610030 | RET. CLAMP F. BRAKE HOSE BLACK | | 2.00 |
| 11* | 0009050106 | EJOT SPIRAL SCREW SF M5X10-K | | 4.00 |
| 12 | 61004060000 | CHAINGUARD 05 | | 1.00 |
| 13* | 0081050181 | SCREW FOR PLASTIC K50X18 T20 | 300 TPI Erzbergrodeo | 1.00 |
| 14 | 46104066050 | BUSH FOR CHAINSLIDER GUARD 02 | | 1.00 |

| | | | | |
|----|-------------|-------------------------------|--|------|
| 15 | 61004060050 | WASHER CHAINGUARD 05 | | 1.00 |
| 16 | 59009062016 | SPECIAL SCREW M6X16 WS=8 10.9 | | 1.00 |
| 18 | 60004041000 | PLUG SWINGARM 03 | | 1.00 |
| 19 | 60004017000 | SCREW M14X1,5 L=73MM 03 | | 1.00 |
| 20 | 55009086000 | PLUG SFL13 | | 2.00 |
| 21 | 60004037244 | SWINGARM BOLT CPL. | | 1.00 |
| 22 | 60004038000 | COLLAR NUT M19X1,5 WS=27MM | | 1.00 |
| 23 | 61104020000 | QUICK SUPPORT MAIN STAND | | 2.00 |
| 24 | 0912100456 | AH SCREW DIN6912-M10X45 10.9 | | 2.00 |
| 98 | 60004066110 | CHAIN GUARD KIT | | 0.00 |
| 99 | 60004230010 | SWINGARM REP. KIT | | 1.00 |

* = New part