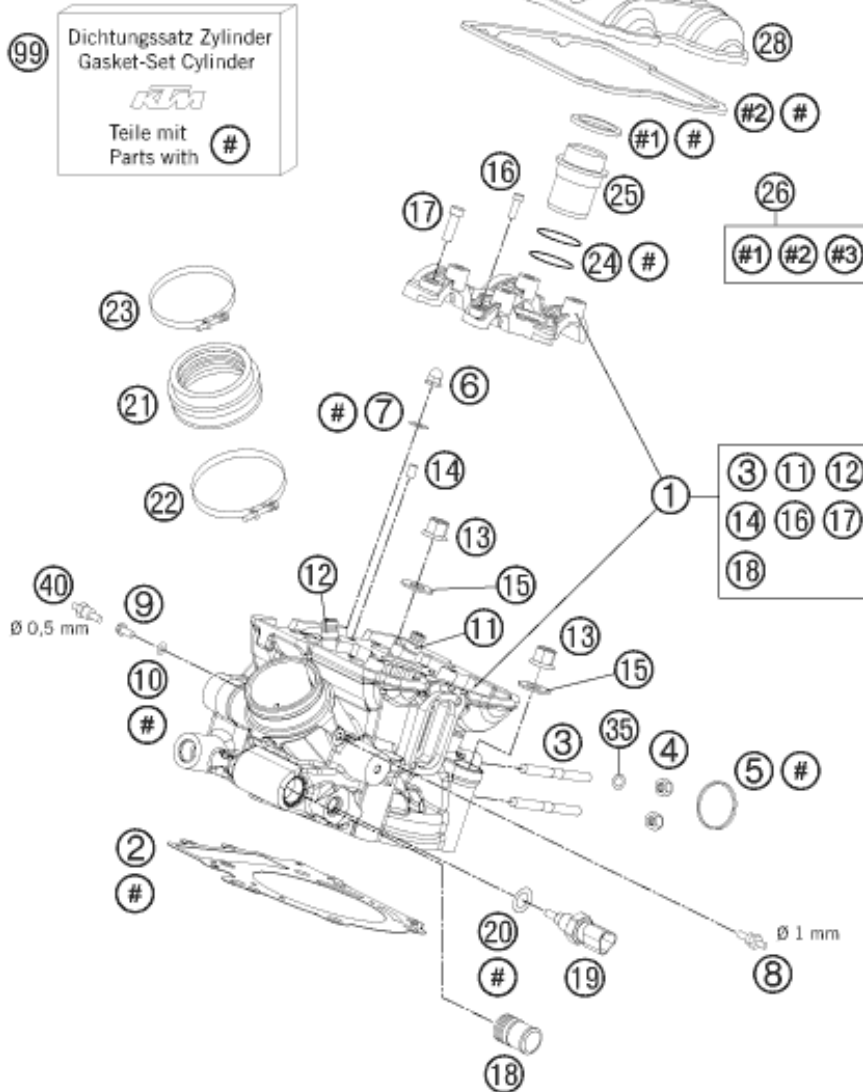


DICHTUNGSSATZ KPL. 600.30.099.000  
 ENTHÄLT DICHT.SATZ ZYL.KOPF 600.30.097.000  
 GASKET-SET CPL. 600.30.099.000  
 INCL. GASKET-SET CYL. HEAD 600.30.097.000



Pos	Part Number	Description	Additional Text	Quantity
1	6013612014423	CYLINDER HEAD REAR CPL.		1.00
2	60030036000	CYLINDER HEAD GASKET 0,5 101MM		1.00
3	0835080165	STUD M 8X16 10.9		2.00
4	51010086100	self-locking nut M8 Cu		2.00
5	61005005000	Exhaust gasket 05		1.00
6	61230045000	CAP NUT M6 STAINLESS STEEL		2.00
7	0125060003	WASHER DIN0125-A 6,4		2.00
8	61036023100	VACUUM CONECTION 2006		1.00
9	0025060106	HH collar screw M6x10 TX30		1.00
10	0603061001	CU-SEAL RING DIN7603-6X10X1		1.00
11	60036026101	VALVE GIUDE EXHAUST		2.00
12	60036025101	VALVE GIUDE INTAKE		2.00
13	60036078200	hex collar nut M10 WS13		4.00
14	0402050980	needle roller DIN 5402 5x9.8		2.00

15	60036078050	SHIM 10,2X19X1,5MM 05		4.00
16	0912060255	AH SCREW DIN0912-M 6X25 10.9		4.00
17	0984080305	AH SCREW DIN7984-M 8X30 10.9		4.00
18	58030010200	SCREW IN NOZZLE M20X1,5		1.00
19	75035047000	TEMPERATURE SENSOR WATER 07		1.00
20	0770100020	o-ring 10.00x2.00 silicone	ONLY FOR LC4 ADVENTURE	1.00
21	61036044000	RUBBERSLEEVE INTAKE FLANGE 05		1.00
22	61036048000	HOSE CLAMP GEMI 66MM 05		1.00
23	61036047000	Hose clamp GEMI 63mm 05		1.00
24	0770298178	O-RING 29,87X1,78 VITON		2.00
25	60136075100	INSERT SPARK-PLUG SHAFT		1.00
26	60036099000	VALVE COVER GASKET SET FR+RR		1.00
28	6003615210023	VALVE COVER REAR		1.00
29	60036052020	collar screw M 6 WS=10 03		4.00
35	0125080003	washer DIN 125 A -8.4		1.00
40	60036023100	VACUUM CONECTION M6/0,5MM	WITH 2 MARKING GROOVES	1.00
99	60030097000	GASKET SET CYL. HEAD KPL. 03	CYLINDER FRONT + REAR	1.00