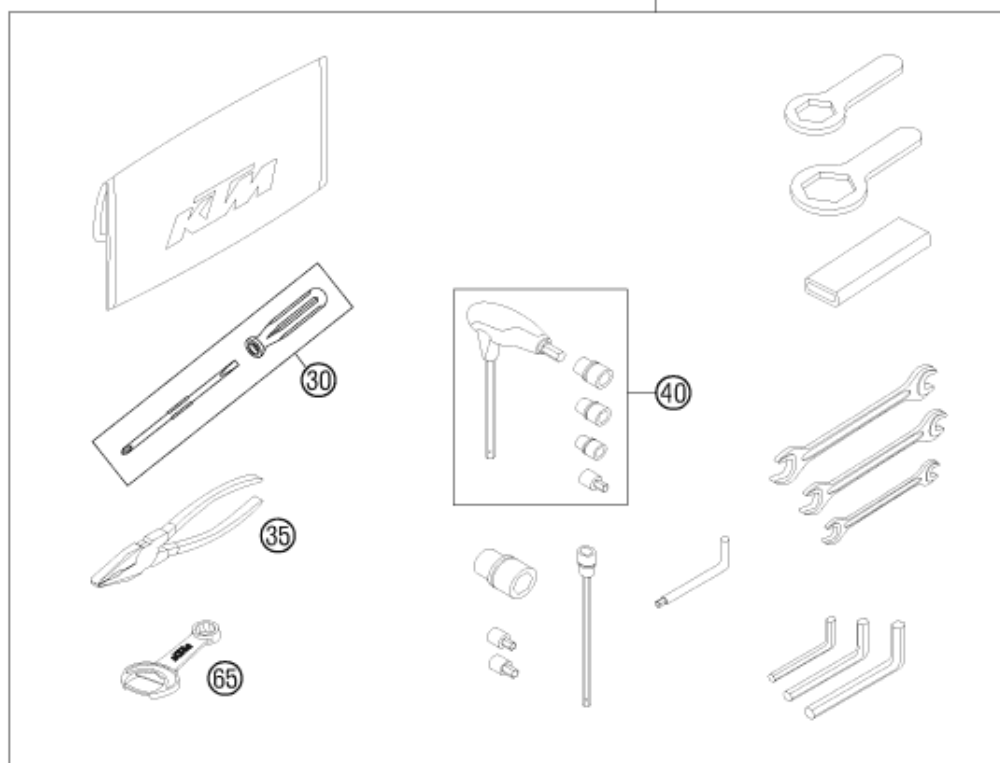


0

 OHNE ABBILDUNG
WITHOUT ILLUSTRATION

12



Pos	Part Number	Description	Additional Text	Quantity
0	00063099111	BAG FOR INSTR. MANUAL 245X170		1.00
0	3212335DE/GB	PP STREET POCKET FOLDER 2011		1.00
0	58412040050	SUPPORT FOR MIRROR LC4 '98	SUPERMOTO PRESTIGE	2.00
0	61112040000	REVIEW MIRROR L/S 07		1.00
0	61112041000	REVIEW MIRROR R/S 07		1.00
0	58412080000	REFLECTOR RED	EU+AUS	1.00
0	60012081200	license plate mouning plate	FOR AUS ONLY	1.00
0	0024060156	HH collar screw M6x15 TX30	ONLY USA	4.00
0	0021060003	Washer DIN9021-A 6.4	ONLY USA	4.00
0	0985060003	Self lock. nut DIN985-M6-A2		4.00
0	58412080050	BRACKET FOR REFLECTOR		1.00
0	40006006000	WASHER 6MM		2.00
0	0966050163	OVAL HEAD SCREW DIN0966-M 5X16		2.00
0	0125050003	WASHER DIN0125-A 5,3		2.00
0	0985050003	Self locking nut DIN 985 M5		2.00
0	3210040	CUSTOMER WELCOME LETTER		1.00
0	312313	KTM BALLPOINT PEN ORANGE		1.00
0	00063004202	PRINT LABEL 60X51 MM		1.00
0	312305	DOCUMENTS BAG 2006		1.00

0	62008965000	TOURING WINDSCREEN		1.00
0	60112024050	ADAPTER-KIT ALUM. CASE		1.00
0	62012020000	BAGGAGE CARRIER SYS.QUICK LOCK		1.00
0	60112920000	LOCK FOR QUICKLOCK CARRIER SYS		1.00
0	60112025200	ALUM CASE RIGHT BLK 37L		1.00
0	60112024200	ALUM CASE LEFT BLK 37L		1.00
0	60112027000	ALUM TOPCASE BLACK 38L		1.00
0	60112023250	CASE LOCK 4 PCS.		1.00
0	60112927044	BRACKET FOR BLK ALUM TOP CASE		1.00
0	62003022000	CENTER STAND		1.00
0	00063004130	CARTON 440X130X640(WINDSHIELD)		1.00
0	69008021160	special screw M5x12		5.00
12	61129099000	TOOL SET 08		1.00
30	53012024100	SCREW DRIVER L=105MM		1.00
35	53012028200	GRIP ORANGE B&F		1.00
40	60029070200	T-WRENCH WS=6/8/10 TX=45 B&F		1.00
65	50329071100	WRENCH WS=13 B&F + OPENER		1.00