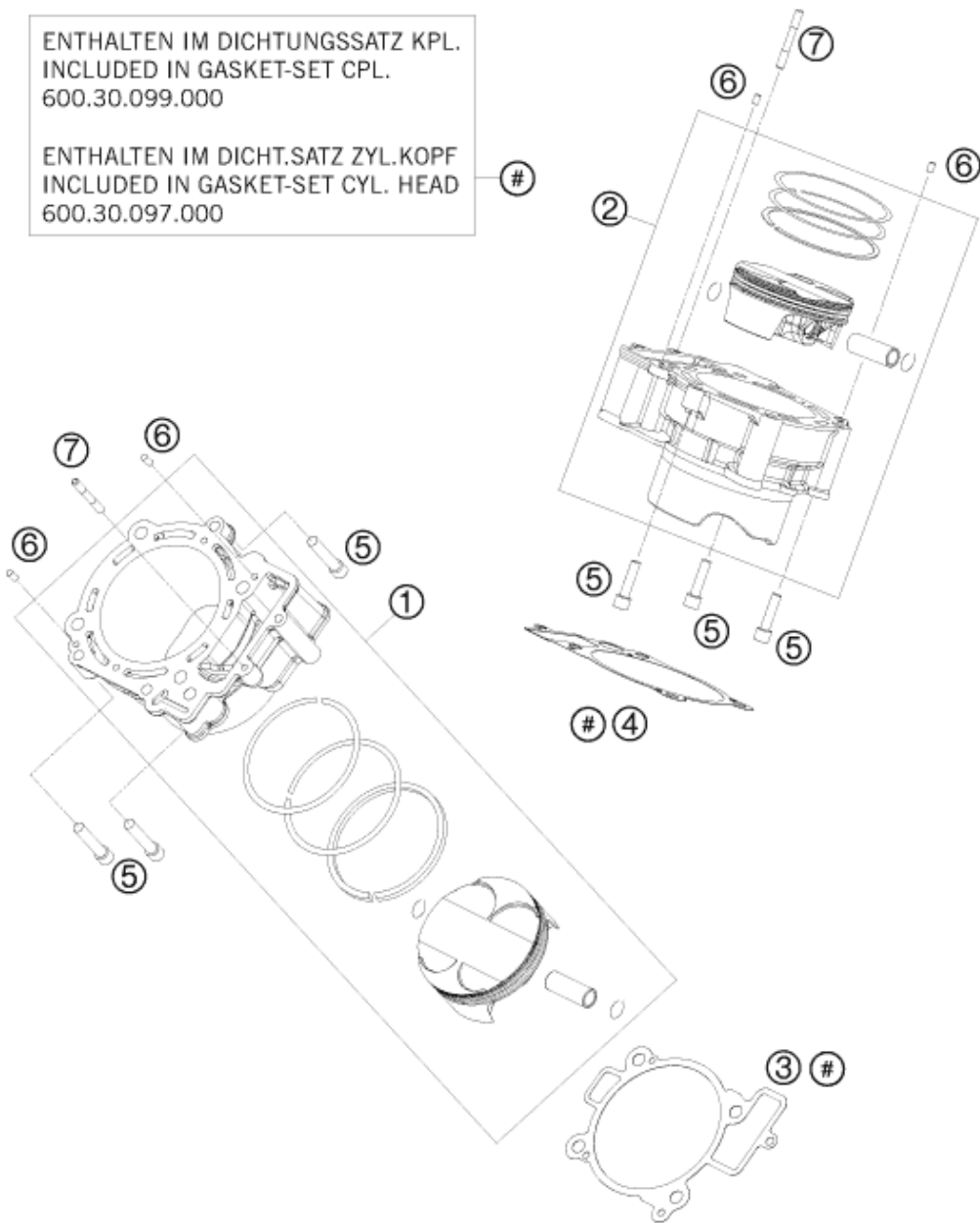


ENTHALTEN IM DICHTUNGSSATZ KPL.
INCLUDED IN GASKET-SET CPL.
600.30.099.000

ENTHALTEN IM DICHT.SATZ ZYL.KOPF
INCLUDED IN GASKET-SET CYL. HEAD
600.30.097.000



| Pos | Part Number | Description | Additional Text | Quantity |
|-----|---------------|--------------------------------|-----------------|----------|
| 1* | 6103003810023 | CYLINDER + PISTON CPL. FRONT | | 1.00 |
| 2* | 6103013810023 | CYLINDER + PISTON CPL. REAR | | 1.00 |
| 3 | 60030035000 | CYLINDER-BASE GASKET FR 0,35MM | | 1.00 |
| 4 | 60030135000 | CYLINDER-BASE GASKET RR 0,35MM | | 1.00 |
| 5 | 0912080353 | AH SCREW DIN0912-M 8X35 | | 6.00 |
| 6 | 0474050100 | GROOVED PIN DIN1474 5X10 | | 4.00 |
| 7 | 60030043020 | STUD M6X47 03 | | 2.00 |

* = New part