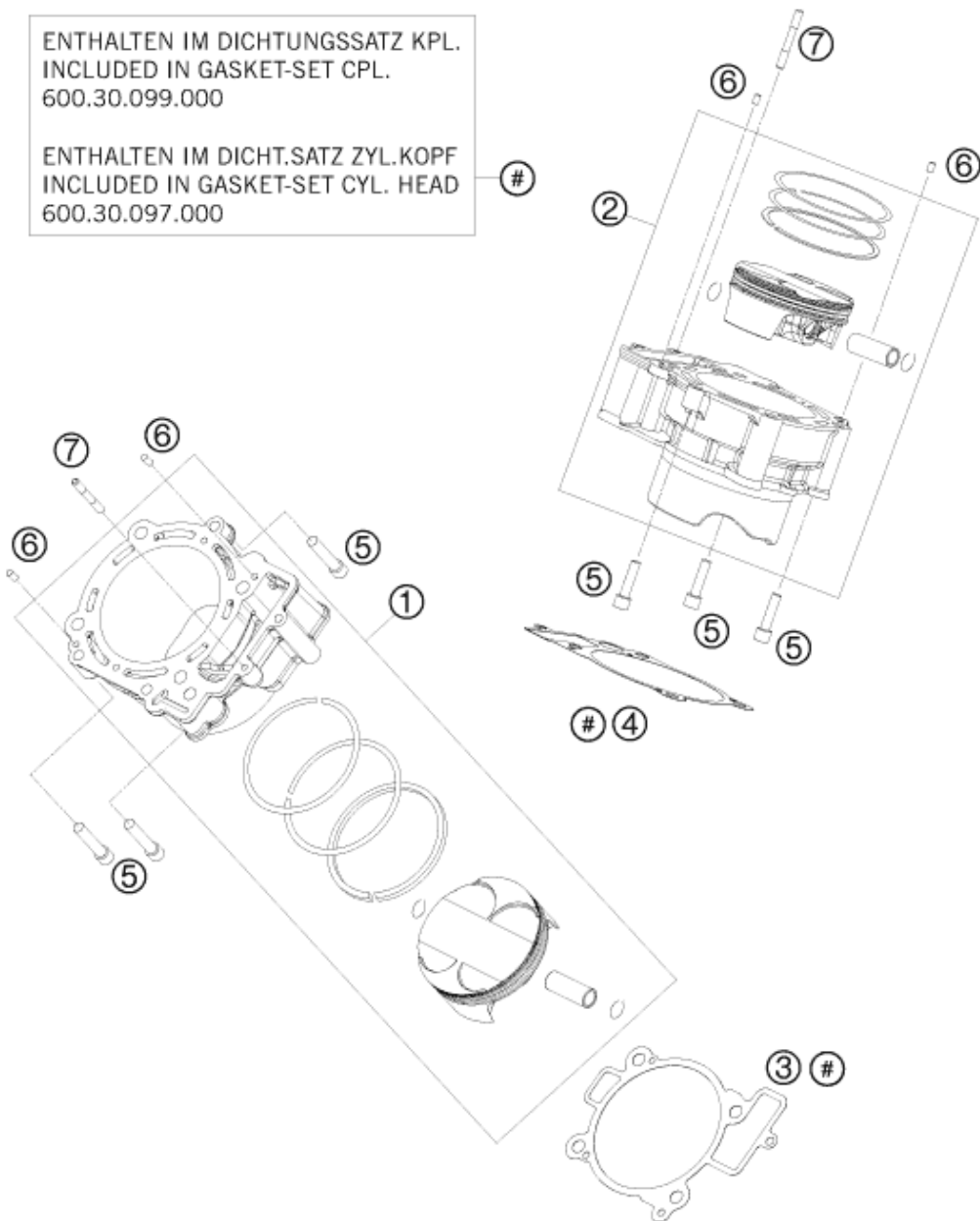


ENTHALTEN IM DICHTUNGSSATZ KPL.  
INCLUDED IN GASKET-SET CPL.  
600.30.099.000

ENTHALTEN IM DICHT.SATZ ZYL.KOPF  
INCLUDED IN GASKET-SET CYL. HEAD  
600.30.097.000



| Pos | Part Number   | Description                    | Additional Text | Quantity |
|-----|---------------|--------------------------------|-----------------|----------|
| 1*  | 6113003810023 | ZYLINDER & PISTON FRONT        |                 | 1.00     |
| 2*  | 6113013810023 | ZYLINDER & PISTON REAR         |                 | 1.00     |
| 3   | 60030035000   | CYLINDER-BASE GASKET FR 0,35MM |                 | 1.00     |
| 4   | 60030135000   | CYLINDER-BASE GASKET RR 0,35MM |                 | 1.00     |
| 5   | 0912080353    | AH SCREW DIN0912-M 8X35        |                 | 6.00     |
| 6   | 0474050100    | GROOVED PIN DIN1474 5X10       |                 | 4.00     |
| 7   | 60030043020   | STUD M6X47 03                  |                 | 2.00     |

\* = New part