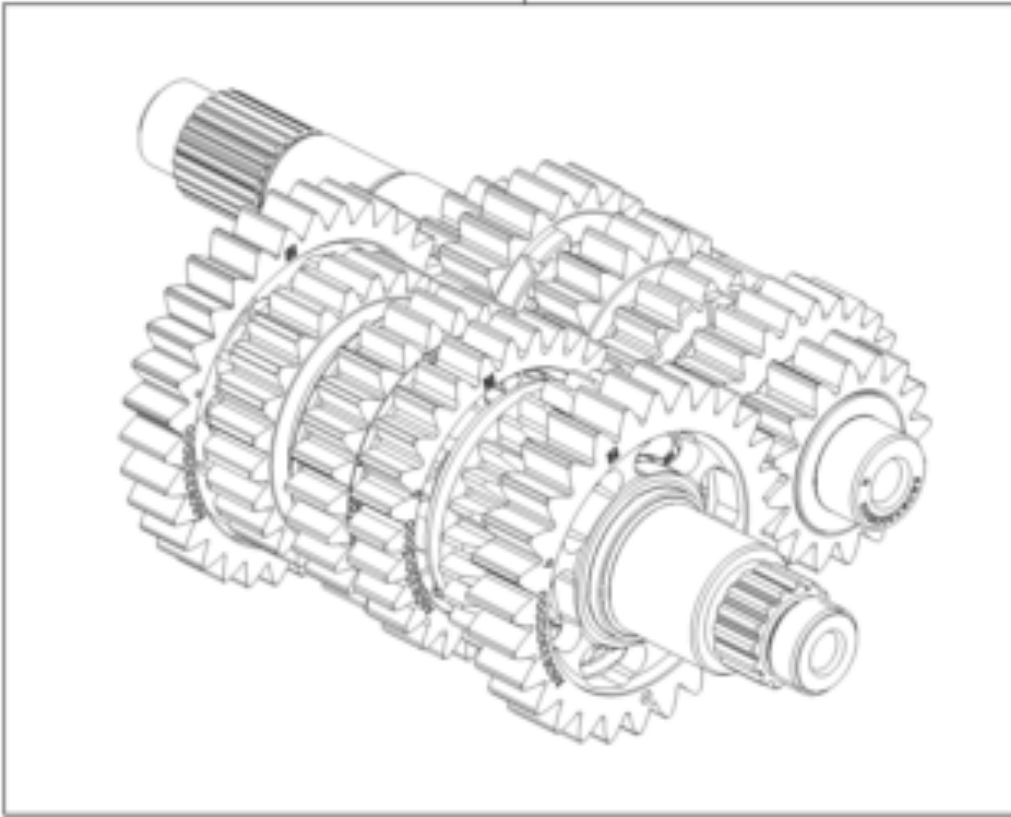


①



Pos	Part Number	Description	Additional Text	Quantity
1	A60833000000	Transmission compl.		1.00