

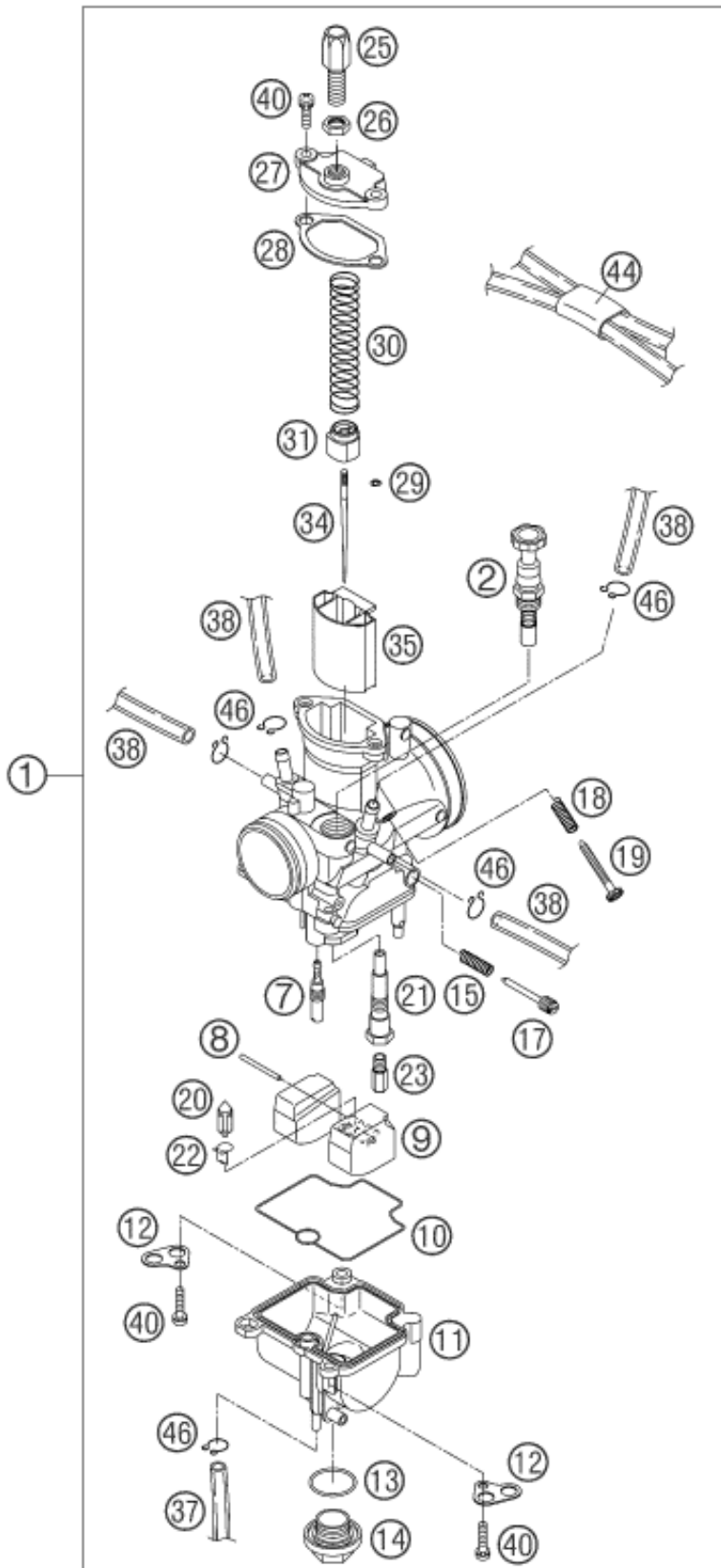


**ACHTUNG !!!**

Vor dem Einbau des Vergasers, Bedüsung kontrollieren.

**CAUTION !!!**

Before mounting the carburetor, check the jetting.



| Pos | Part Number | Description                   | Additional Text | Quantity |
|-----|-------------|-------------------------------|-----------------|----------|
| 1   | 47031001000 | CARBURETOR KEIHIN PWK 28 2003 |                 | 1.00     |
| 2   | 54631245000 | STARTER PISTON CPL.           |                 | 1.00     |
| 7   | 54531607045 | IDLE JET 45 KEIHIN            | 200 MXC/EXC-USA | 1.00     |
| 8   | 57331008000 | ARM PIN FLOAT                 |                 | 1.00     |
| 9   | 47031009000 | FLOAT CPL. PWK28 03           |                 | 1.00     |
| 10  | 47031010000 | FLOAT CHAMBER GASKET          |                 | 1.00     |
| 11  | 47031011000 | FLOAT CHAMBER PWK28 03        |                 | 1.00     |
| 12  | 54531612100 | RETAINING PLATE FOR BLEEDER   |                 | 2.00     |
| 13  | 0770180230  | O-RING 18,00X2,30 NBR 70      |                 | 1.00     |
| 14  | 57331014000 | HOLDING BOLT                  |                 | 1.00     |
| 15  | 54531615000 | SPRING FOR ADJUSTMENT SCREW   |                 | 1.00     |
| 17  | 54531617000 | ADJUSTMENT SCREW              |                 | 1.00     |
| 18  | 54631118000 | SPRING                        |                 | 1.00     |
| 19  | 54631219100 | ADJUSTMENT SCREW M 5          |                 | 1.00     |
| 20  | 47031020000 | FLOAT NEEDLE CPL.             |                 | 1.00     |
| 21  | 47031021000 | NEEDLE JET                    |                 | 1.00     |
| 22  | 47031022000 | CLIP FOR FLOAT VALVE          |                 | 1.00     |
| 23  | 54531623115 | MAIN JET 115 KEIHIN           |                 | 0.00     |
| 23  | 54531623118 | MAIN JET 118 KEIHIN           |                 | 1.00     |
| 23  | 54531623120 | MAIN JET 120 KEIHIN           |                 | 0.00     |
| 23  | 54531623122 | MAIN JET 122 KEIHIN           |                 | 0.00     |
| 25  | 54531625000 | ADJUSTMENT SCREW M 6X0,75     |                 | 1.00     |
| 26  | 52031126000 | HEXAGON NUT M 6X0,75 DIN0439  |                 | 1.00     |
| 27  | 47031027000 | CARBURETOR COVER PWK28 03     |                 | 1.00     |
| 28  | 47031028000 | CARBURETOR COVER GASKET PWK28 |                 | 1.00     |
| 29  | 54531629000 | CLIP FOR JET NEEDLE           |                 | 1.00     |
| 30  | 47031030000 | THROTTLE VALVE SPRING         |                 | 1.00     |
| 31  | 47031031000 | SPRING CAP                    |                 | 1.00     |
| 34  | 47031034000 | JET NEEDLE N5HG KEIHIN        |                 | 1.00     |
| 34  | 47031034100 | JET NEEDLE N5HF KEIHIN        |                 | 0.00     |
| 34  | 47031034200 | JET NEEDLE N5HH KEIHIN        |                 | 0.00     |
| 35  | 47031035000 | THROTTLE VALVE 3,5            |                 | 1.00     |
| 37  | 52031137001 | PVC-HOSE 3X5MM                |                 | 0.33     |
| 38  | 31007007101 | PVC-HOSE 4X6MM                |                 | 2.20     |
| 40  | 0016040163  | HH COLLAR SCREW M 4X16 WS=6   |                 | 4.00     |
| 44  | 47031084000 | PLASTIC-CLIP                  |                 | 1.00     |
| 46  | 54531696000 | Clamp 6mm                     |                 | 5.00     |