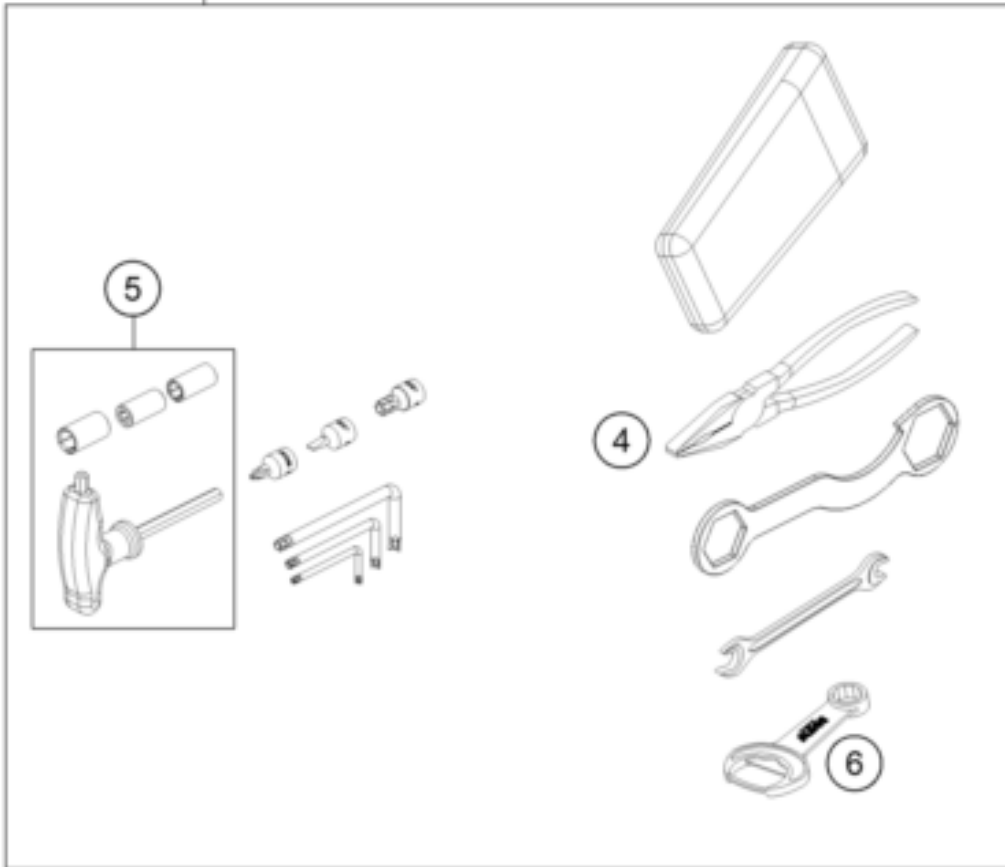


0

OHNE ABBILDUNG  
WITHOUT ILLUSTRATION

3



Pos	Part Number	Description	Additional Text	Quantity
0	76912008000	passenger handle bar left		1.00
0	76912009000	passenger handle bar right		1.00
0	79602182044EB	Handguard		1.00
0	A63402079044	Mounting kit, handguard support		1.00
0	76903038050	Heel protector, left		1.00
0	76903039050	Heel protector, right		1.00
0	0025080126	HH collar screw M8x12 TX40		4.00
0	78003040033	FOOTREST L/S + R/S CPL. 09		1.00
0	0021060003	Washer DIN9021-A 6.4	ONLY USA	2.00
0	0024060156S	HH collar screw M6x15 TX30		2.00

0	0025080556	HH collar screw M8x55 TX40		4.00
0	A6060304803301	Passenger footpeg bracket left		1.00
0	A6060304903301	Passenger footpeg bracket righ		1.00
0	60312040200	Mirror		2.00
0	54603048100	clip nut M6		2.00
0	00063004202	PRINT LABEL 60X51 MM		1.00
0	00063004012	HEADLIGHT MASK BOX		1.00
0	0019050121S	INT. TORX FLAT HEAD M5X12 T25		4.00
0	6411208103333	Retaining bracket side reflect		1.00
0	79602979044	Wrap-around handguard		1.00
3	76129099000	Vehicle tool kit		1.00
4	53012028200	GRIP ORANGE B&F		1.00
5	50329070000	T-WRENCH WS=6/8/10 '97		1.00
6	50329071100	WRENCH WS=13 B&F + OPENER		1.00