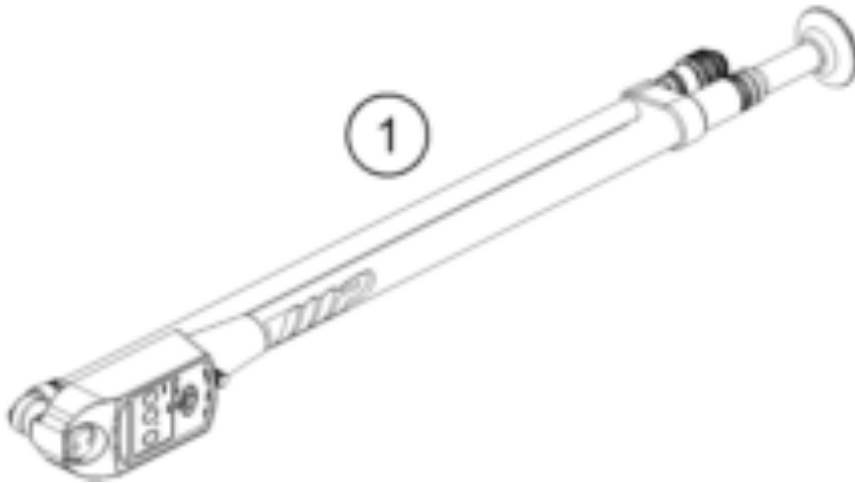


0

KEINE ABBILDUNG  
NO ILLUSTRATION

1



Pos	Part Number	Description	Additional Text	Quantity
0	A46001038010	Rigid handlebar clamp bushing		2.00
0	A46039075000	Sticker map select switch		1.00
0	A46003137033	Footpeg set		1.00
0	81212016100	WASH CAP SET		1.00
0	A46002014000	Gate 4-T 39,5mm		1.00
0	A46008078026	Displacement label set 450 SX-		1.00
0	58411098100	CONTACT WASHER M6 VSV-K6		2.00
0	A46002002044C1A	Handlebar pad compl.		1.00
0	A46006903000EB	Air filter cover		1.00
0	A46003094000C1	Frame protection set		1.00
0	0025050126	HH collar screw M5x12 TX30		2.00
0	78141013190	FUEL FILTER		3.00
0	00063004202	PRINT LABEL 60X51 MM		1.00
0	78029072000	Spark plug wrench		1.00
0	52000235SET	Sticker set XACT 5 AER CC 182.		1.00
0	A46029094000	Stand/fork support		1.00
0	00063004012	HEADLIGHT MASK BOX		1.00
0	50329072000	SPOKE-SPANNER WS 7/10		1.00
1	79412966100	Fork pump		1.00