

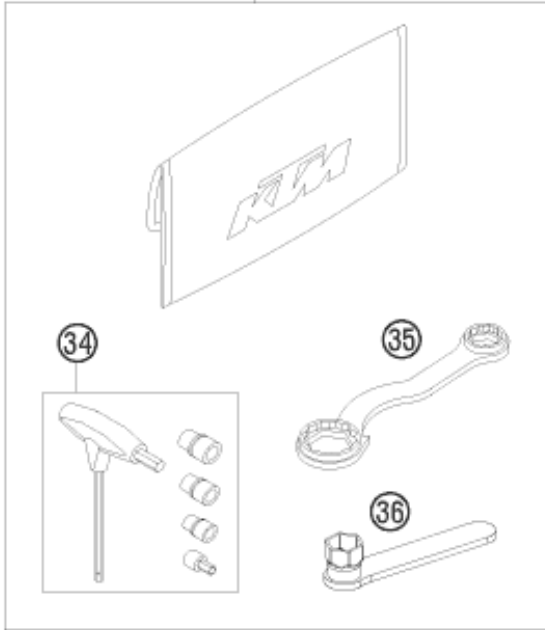
0

OHNE ABBILDUNG
WITHOUT ILLUSTRATION

1

TECHNISCHE DOKUMENTATION
TECHNICAL DOCUMENTATION
DOCUMENTACION TECNICA
DOCUMENTATION TECHNIQUE
NOTE TECNICHE

29



31

30



Pos	Part Number	Description	Additional Text	Quantity
0	312313	KTM BALLPOINT PEN ORANGE		1.00
0	312305	DOCUMENTS BAG 2006		1.00
0	4700304003390	FOOTPEG L.+R. CPL. 85 SX 03		1.00
0	44011076200	Cable tie 200/4.6mm black		2.00
0*	46208010000X4	FENDER FRONT 65 SX 2010		1.00
0	0024060136	HH collar screw M6x13 TX30		4.00
1	3CF6001J6EN	SPM CHASSIS 65 SX MINI 2010		1.00
1	3CM080208JEN	SPM ENGINE 65 SX 2010		1.00
1	3211478EN	OWN. MANUAL 65 SX 2010		1.00
1	322000	SAFETY BROCHURES SPORTMINICYC.		1.00
29	46229099000	TOOL KIT 65 SX 09		1.00
30	47003020000	PLUG IN STAND SX 85 2003		1.00
31	46012024000	HOOK WRENCH FOR SHOCK ABSORBER		1.00
34	60029070200	T-WRENCH WS=6/8/10 TX=45 B&F		1.00
35	50329080100	WRENCH SW=17/21/27/32 B&F		1.00
36	45229073000	SPARK PLUG WRENCH		1.00

* = New part