

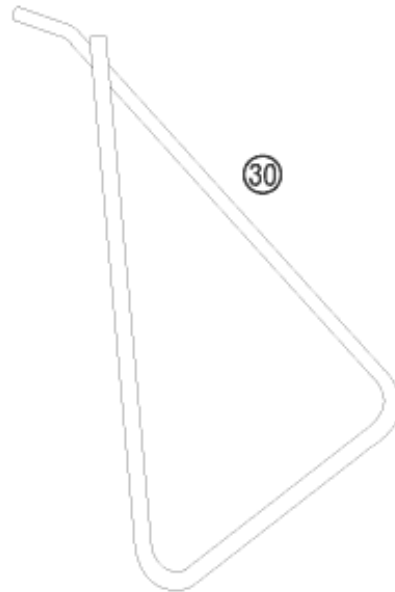
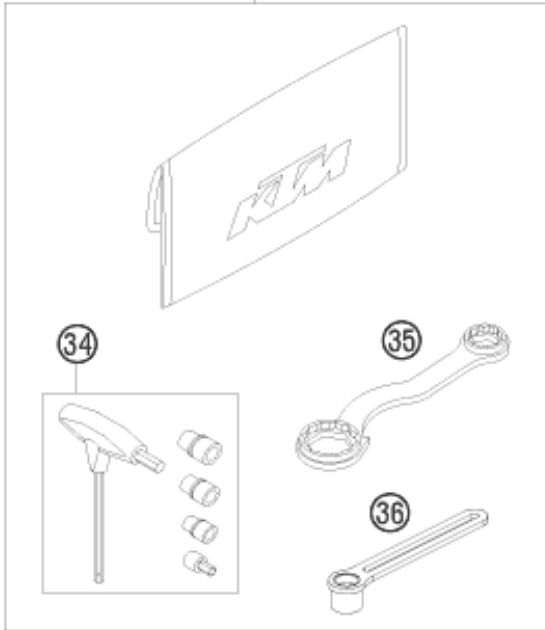
①

OHNE ABBILDUNG  
WITHOUT ILLUSTRATION

①

TECHNISCHE DOKUMENTATION  
TECHNICAL DOCUMENTATION  
DOCUMENTACION TECNICA  
DOCUMENTATION TECHNIQUE  
NOTE TECNICHE

②⑨



Pos	Part Number	Description	Additional Text	Quantity
0	312313	KTM BALLPOINT PEN ORANGE		1.00
0	312305	DOCUMENTS BAG 2006		1.00
1	3CF600114EN	SPM CHASSIS 50 SX 2009		1.00
1	3CM080256IEN	SPM ENGINE 50 SX 2009		1.00
1	3211344EN	OWNERS MANUAL MINI 2009		1.00
1	322000	SAFETY BROCHURES SPORTMINICYC.		1.00
29	45229099000	TOOL KIT 50 SX 09		1.00
30	45103023300	Plug-in stand 50 SEN LC 03		1.00
34	60029070200	T-WRENCH WS=6/8/10 TX=45 B&F		1.00
35	50329080100	WRENCH SW=17/21/27/32 B&F		1.00
36	45229073000	SPARK PLUG WRENCH		1.00