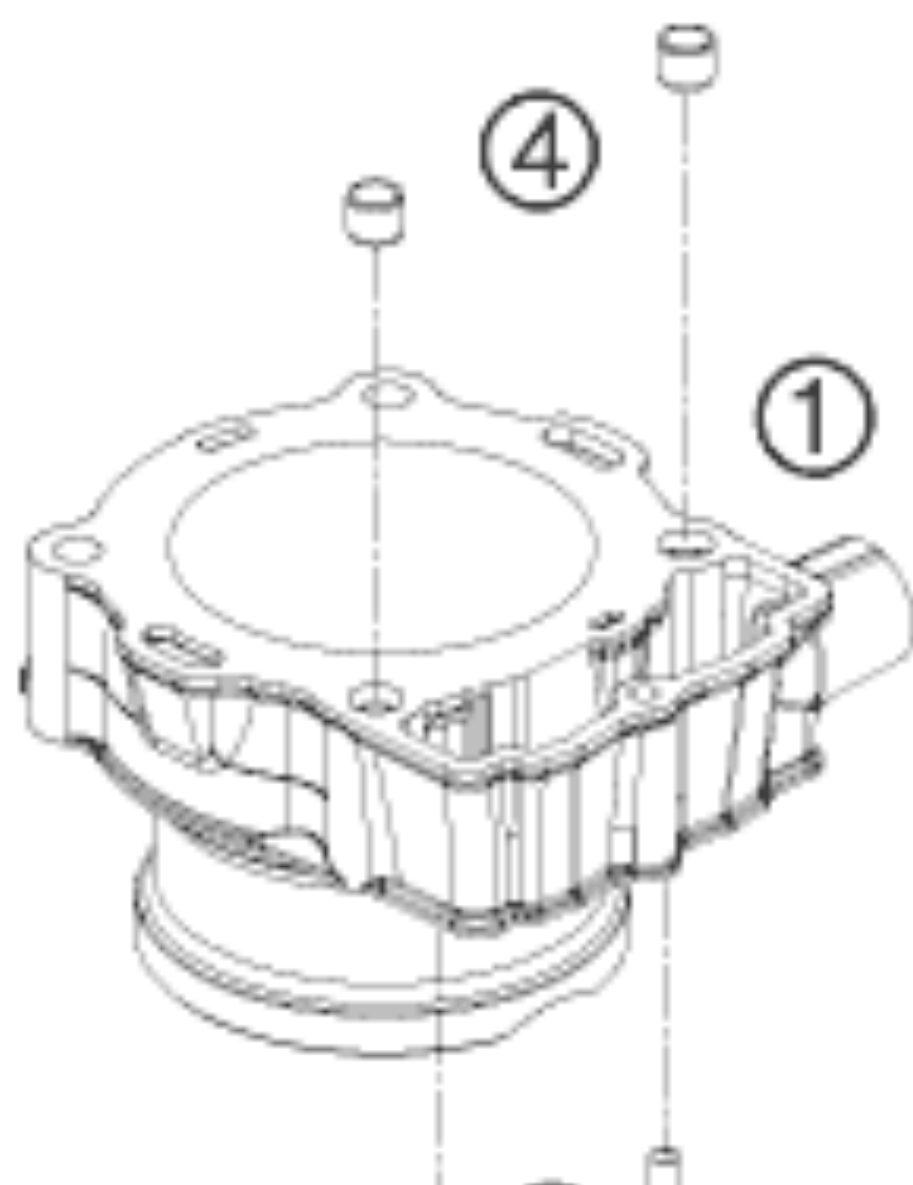
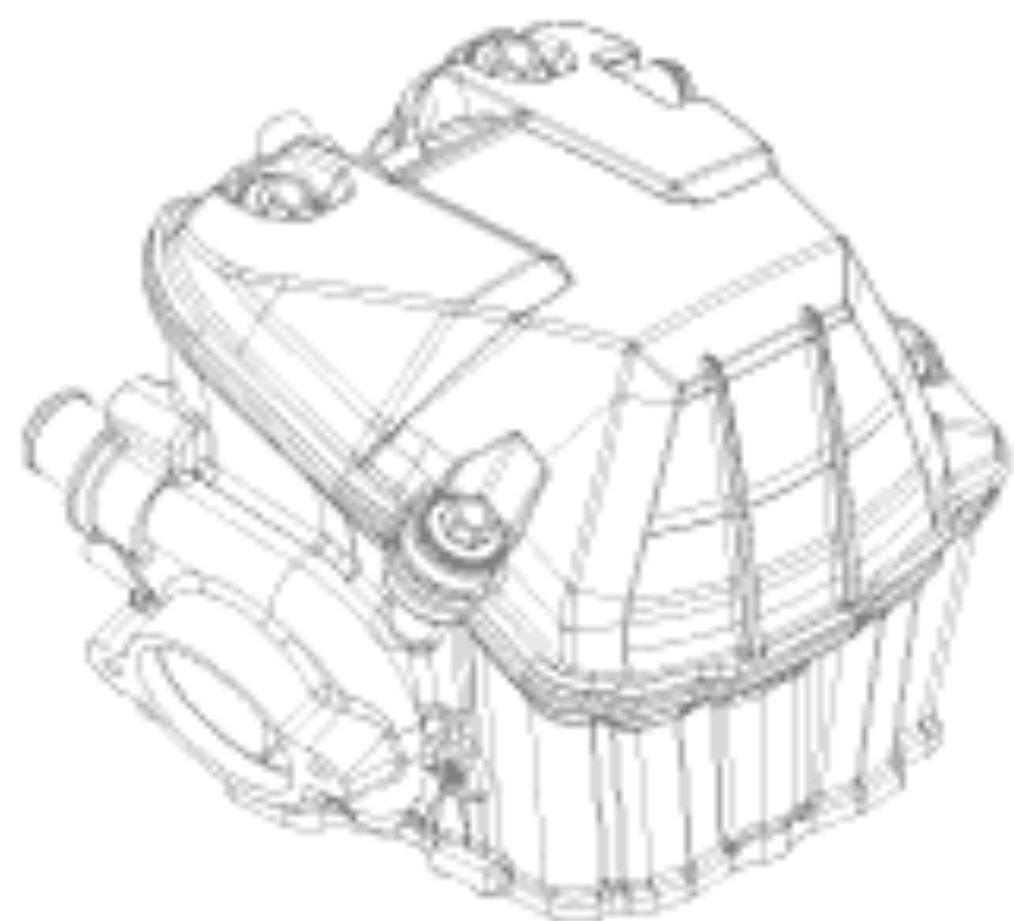




450 XCR-W 2008 <2008><ZA><8476H8>
CYLINDER
6988



Pos	Part Number	Description	Additional Text	Quantity
1	78030005000	CYLINDER		1.00
2	59030023000	dowel sleeve 6x8x11.5		2.00
3	78030035000	CYLINDER BASE GASKET		1.00
4	58530014000	DOWEL 10,2X12,5X10 2001		2.00