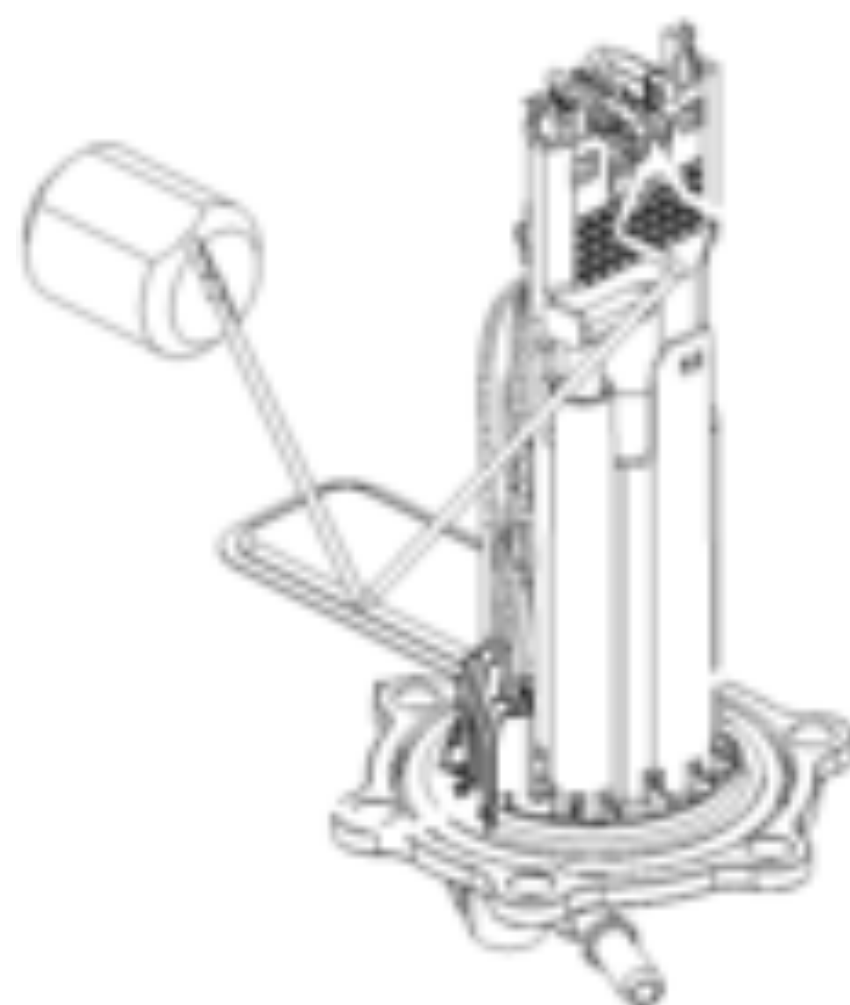




200 DUKE, orange, w/o ABS - IKD 2024 <2024><AR><F4142X9>
FUEL PUMP
68986



8



1



2



Pos	Part Number	Description	Additional Text	Quantity
1	93107088000	PUMP FUEL		1.00
2	96241007000	PLATE PUMP FUEL		1.00
3	J025060128	BOLT FLANGE- M6 X 1 X L12.8 XB		6.00
8	93007089000	Fuel pump seal		1.00