

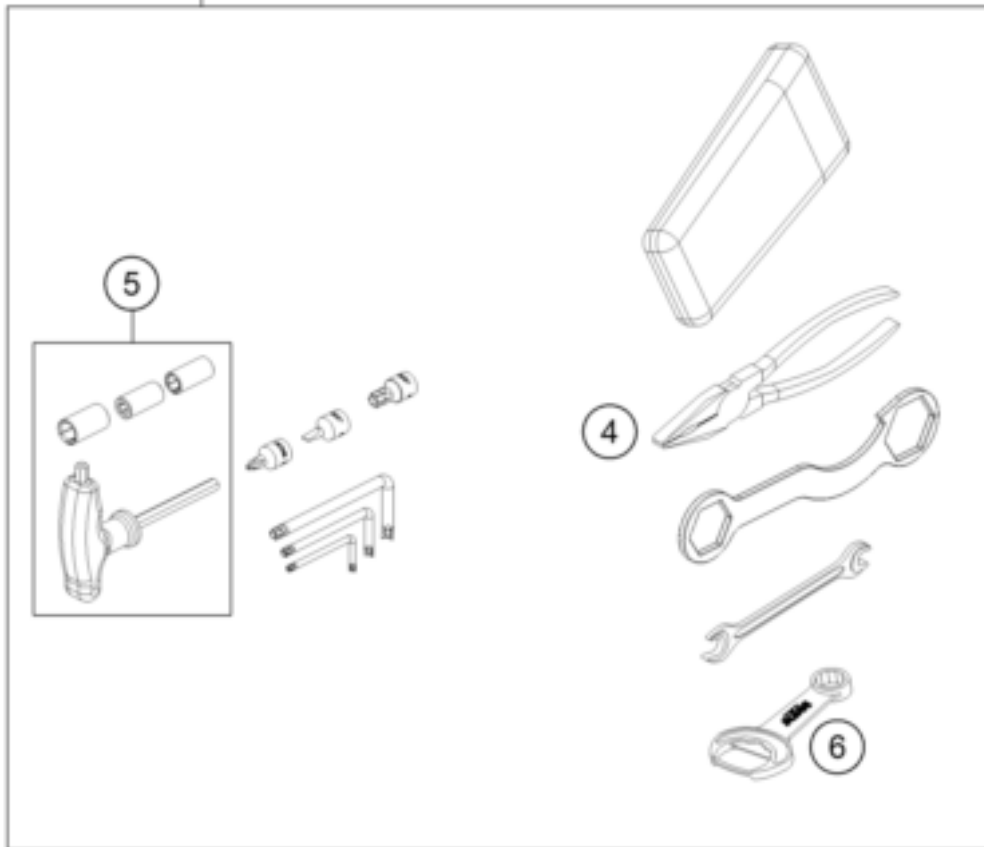
0

OHNE ABBILDUNG  
WITHOUT ILLUSTRATION

1

TECHNISCHE DOKUMENTATION  
TECHNICAL DOCUMENTATION  
DOCUMENTACION TECNICA  
DOCUMENTATION TECHNIQUE  
NOTE TECNICHE

3



Pos	Part Number	Description	Additional Text	Quantity
0	76912008000	passenger handle bar left		1.00
0	76912009000	passenger handle bar right		1.00
0	76902182044EB	Handguard cmpl.		1.00
0	79602979044	Wrap-around handguard		1.00
0	A63402079044	Mounting kit, handguard suppor		1.00
0	76903038050	Heel protector, left		1.00
0	76903039050	Heel protector, right		1.00
0	0025080126	HH collar screw M8x12 TX40		4.00
0	60003040133	FOOTPEG LS+RS CPL.		1.00
0	00063004012	HEADLIGHT MASK BOX		1.00
0	7690304803301	Rear footpeg bracket left cmpl		1.00

0	7690304903301	Rear footpeg bracket right cmp		1.00
0	0025080166	HH COLLAR SCREW M8X16 TX40		4.00
0	60312040200	Mirror		2.00
0	00063004202	PRINT LABEL 60X51 MM		1.00
0	0024060156S	HH collar screw M6x15 TX30		2.00
0	54603048100	clip nut M6		2.00
0	0021060003	Washer DIN9021-A 6.4	ONLY USA	2.00
0	58412080300	REFLECTOR YELLOW "CEV"	ONLY USA & AUS	2.00
0	0025080556	HH collar screw M8x55 TX40		4.00
0	00063000019	BUBBLE WRAP 320 X 200 MM		4.00
1	3214930EN	Owner Manual 690 SMC R 2024		1.00
3	76129099000	Vehicle tool kit		1.00
4	53012028200	GRIP ORANGE B&F		1.00
5	50329070000	T-WRENCH WS=6/8/10 '97		1.00
6	50329071100	WRENCH WS=13 B&F + OPENER		1.00