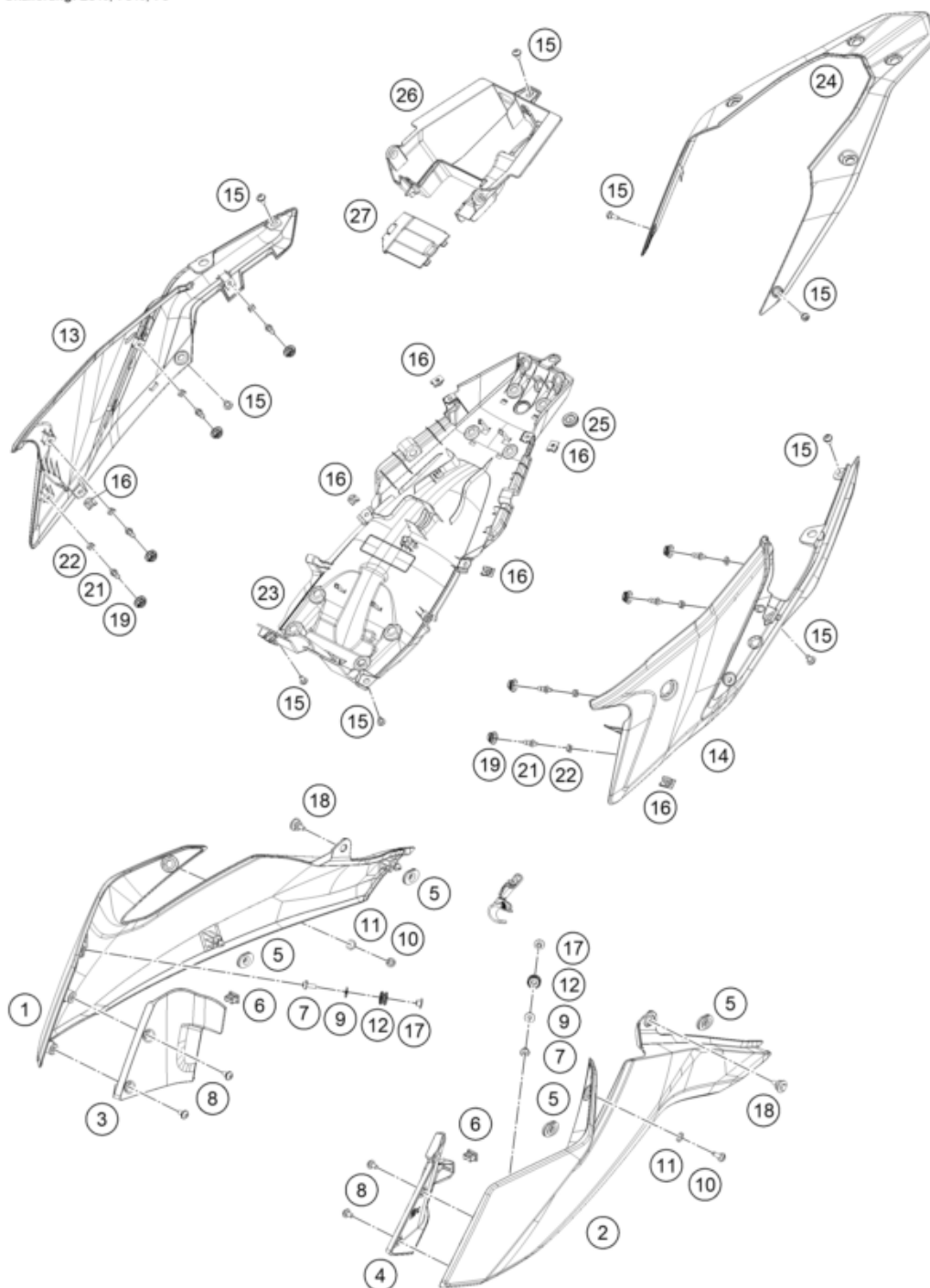


Skalierung: 25%, 75%, 75



Pos	Part Number	Description	Additional Text	Quantity
1	95808051000C1B	ADV390 SPOILER RH JG181297 RAL		1.00
2	95808050000C1B	ADV390 SPOILER LH JG181296 RAL		1.00
3	95808025000	Inner cover, top right		1.00
4	95808026000	Inside cover left		1.00
5	90108060003	GROMMET		4.00
6	90108060002	DAMP. RUBBER II RADIATOR PROT		2.00
7	90808043000	SPECIAL SCREW M6X1X16		2.00
8	93008040000	Screw M6X1X13		4.00
9	J125060005	washer plain id-6.2xod16xthk1x		2.00
10	J031060166	screw butn hd-m6x1xl 16xblksst		2.00
11	93009059000	Washer nylon		2.00

12	95807013060	Tank bushing		2.00
13	95808042000	COWL SEAT LOWER RH		1.00
14	95808041000	rear cover		1.00
15	93008020060	Screw M6X1X9		9.00
16	93008084010	Range change metal nut M6		2.00
17	95807013070	Tank bushing		2.00
18	J025060196	bolt flange-m6x1x19xbrightxst		2.00
19	93011068010	Rubber grommet ignition lock c		6.00
21	95808041010	Pin quick release		8.00
22	95808041020	Special nut		8.00
23	95808019000	rear lower part		1.00
24	95808013000C1B	ADV390RALLY SEAT CWL UPR BLK G		1.00
25	95808019010	Rubber grommet, wire support s		1.00
26	95808023000	Rear part inner cover		1.00
27	95808023010	Starter relay cover		1.00