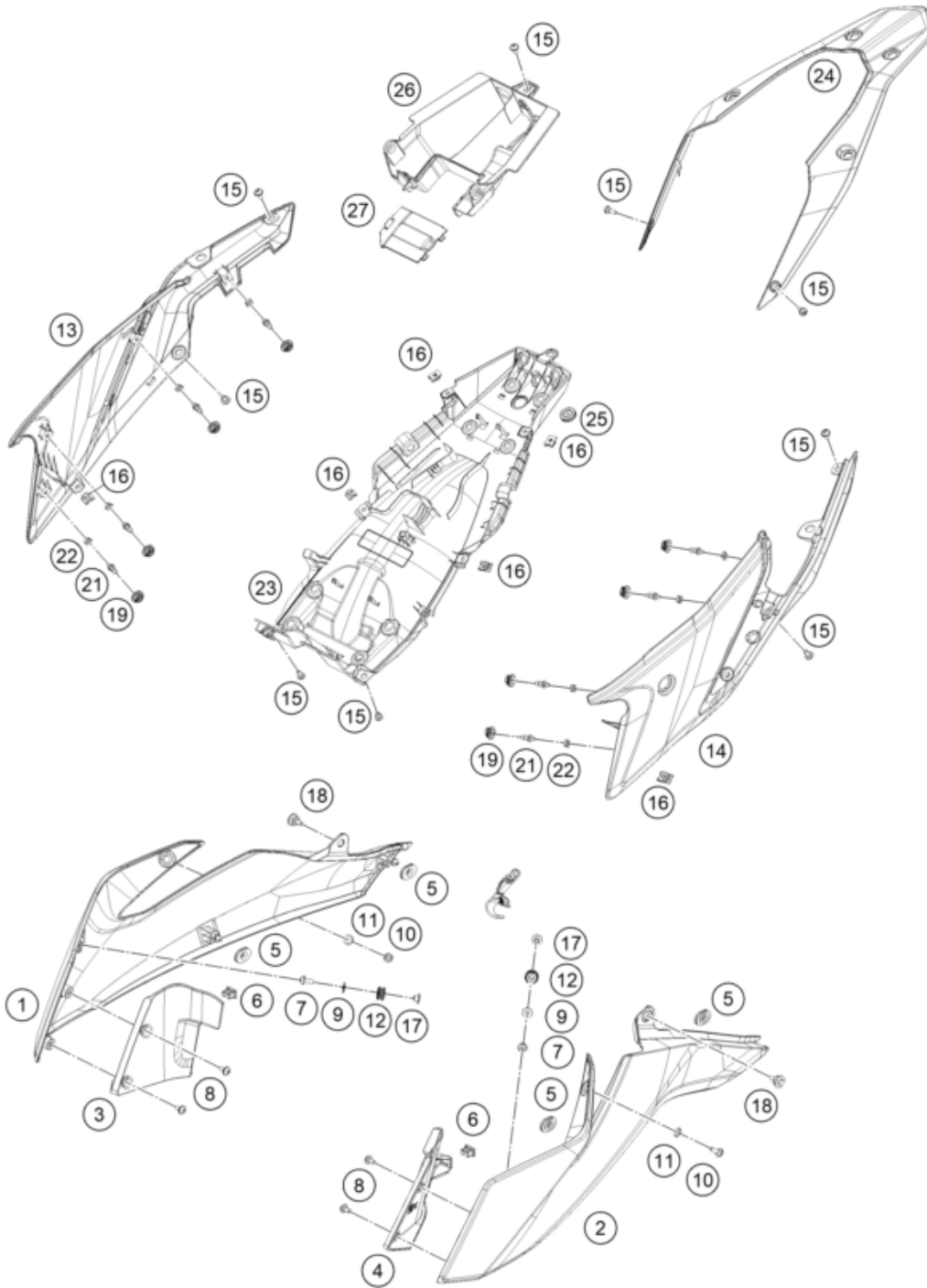


Skalierung: 25%, 75%, 75



| Pos | Part Number | Description | Additional Text | Quantity |
|-----|----------------|--------------------------------|-----------------|----------|
| 1 | 95808051000C1B | ADV390 SPOILER RH JG181297 RAL | | 1.00 |
| 2 | 95808050000C1B | ADV390 SPOILER LH JG181296 RAL | | 1.00 |
| 3 | 95808025000 | Inner cover, top right | | 1.00 |
| 4 | 95808026000 | Inside cover left | | 1.00 |
| 5 | 90108060003 | GROMMET | | 4.00 |
| 6 | 90108060002 | DAMP. RUBBER II RADIATOR PROT | | 2.00 |
| 7 | 90808043000 | SPECIAL SCREW M6X1X16 | | 2.00 |
| 8 | 93008040000 | Screw M6X1X13 | | 4.00 |
| 9 | J125060005 | washer plain id-6.2xod16xthk1x | | 2.00 |
| 10 | J031060166 | screw butn hd-m6x1xl 16xblkxst | | 2.00 |
| 11 | 93009059000 | Washer nylon | | 2.00 |

| | | | | |
|----|----------------|--------------------------------|--|------|
| 12 | 95807013060 | Tank bushing | | 2.00 |
| 13 | 95808042000 | COWL SEAT LOWER RH | | 1.00 |
| 14 | 95808041000 | rear cover | | 1.00 |
| 15 | 93008020060 | Screw M6X1X9 | | 9.00 |
| 16 | 93008084010 | Range change metal nut M6 | | 2.00 |
| 17 | 95807013070 | Tank bushing | | 2.00 |
| 18 | J025060196 | bolt flange-m6x1x19xbrightxst | | 2.00 |
| 19 | 93011068010 | Rubber grommet ignition lock c | | 6.00 |
| 21 | 95808041010 | Pin quick release | | 8.00 |
| 22 | 95808041020 | Special nut | | 8.00 |
| 23 | 95808019000 | rear lower part | | 1.00 |
| 24 | 95808013000C1B | ADV390RALLY SEAT CWL UPR BLK G | | 1.00 |
| 25 | 95808019010 | Rubber grommet, wire support s | | 1.00 |
| 26 | 95808023000 | Rear part inner cover | | 1.00 |
| 27 | 95808023010 | Starter relay cover | | 1.00 |