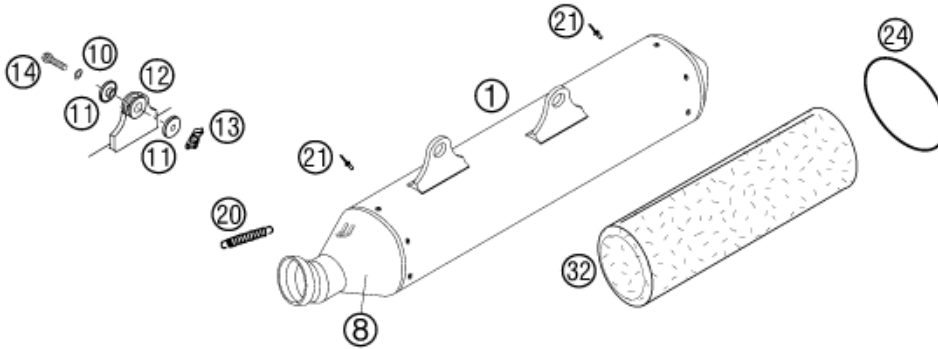
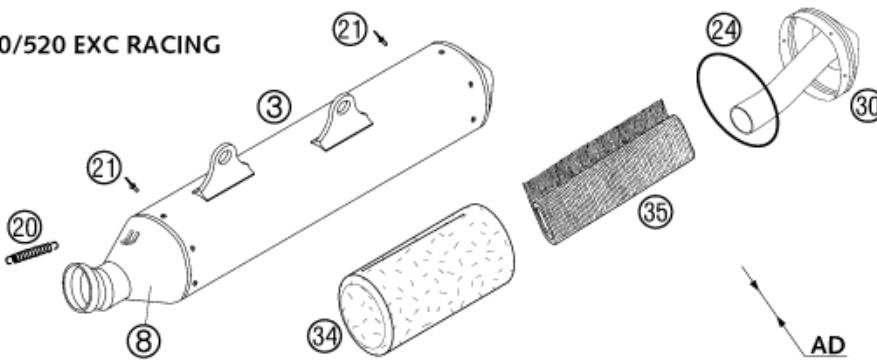


400/520 SX RACING

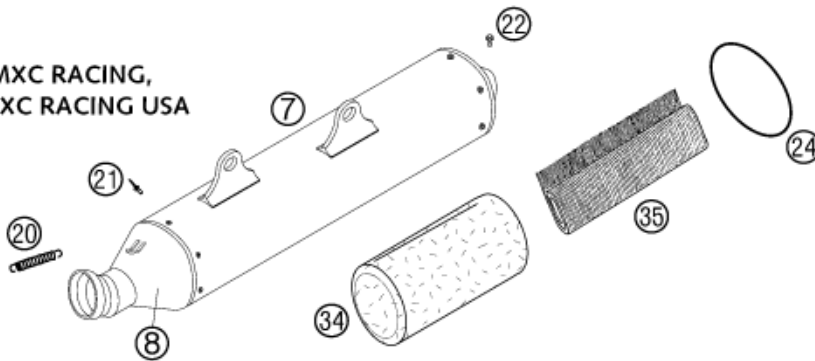


400/520 EXC RACING



AD.....Aussendurchmesser (Rohr) in mm
 Outer diameter (tube) in mm

400/520 MXC RACING,
 400/520 EXC RACING USA



Pos	Part Number	Description	Additional Text	Quantity
1*	59005079200	SILENCER 400/520 SX 2002	SX RACING	1.00
3*	59505081100	SILENCER 400 EXC UNTHROT. 02	400 EXC RACING	0.00
3*	59005081300	SILENCER 250/520 EXC UNTHRO.02	520 EXC RACING	0.00
3*	59505081000	SILENCER 400 EXC THROTTLED 02	400 EXC RACING	1.00
3*	59005081400	SILENCER 250/520 EXC THROT. 02	520 EXC RACING	1.00
7*	59005082200	SILENCER 250-520 SPARKY 02	MXC, EXC RACING USA	1.00
8	59005081052	SILENC.CONNECTING CAP CPL.2000		1.00
10*	0137060003	spring washer DIN 137 B - 6		2.00
11	54605069000	BUSHING 7,5X12X28X7,8 '96		4.00
12	54605068000	EXHAUST BRACKET RUBBER BLACK		2.00
13	54603048100	clip nut M6		2.00
14	0015060303	HH COLLAR SCREW M 6X30 SW=8	LC4, LC4 SM, DUKE	2.00
20	50305016000	TEN.SPRING L=62MM EY.MOVEABLE		2.00

21*	0011481002	DUMMY RIVET 4,8X10,0 NIRO		0.00
22	0009050103	SPECIAL SCREW M 5,0X10		6.00
24	0770223601	O-RING 82,14X3,53 SILICONE		2.00
30*	59505081150	ENDCAP 400 EXC UNTHROT. 02	400 EXC RACING; AD=30	0.00
30	59005081053	ENDCAP UNTHROTTLED RACING 2000	520 EXC RACING; AD=32	0.00
30*	59505081050	ENDCAP 400 EXC THROTTLED 02	400 EXC RACING; AD=30	1.00
30	59005081150	ENDCAP THROTTLED RACING 2000	520 EXC RACING; AD=32	1.00
32	59005078550	STUFF.YARN 550GRAM L=550MM SX		1.00
34	58705078350	STUFFINGYARN 350 GRAMM '99		1.00
35	58305078002	STUFFING YARN REAR 90 GRAMM'98		1.00

* = New part