

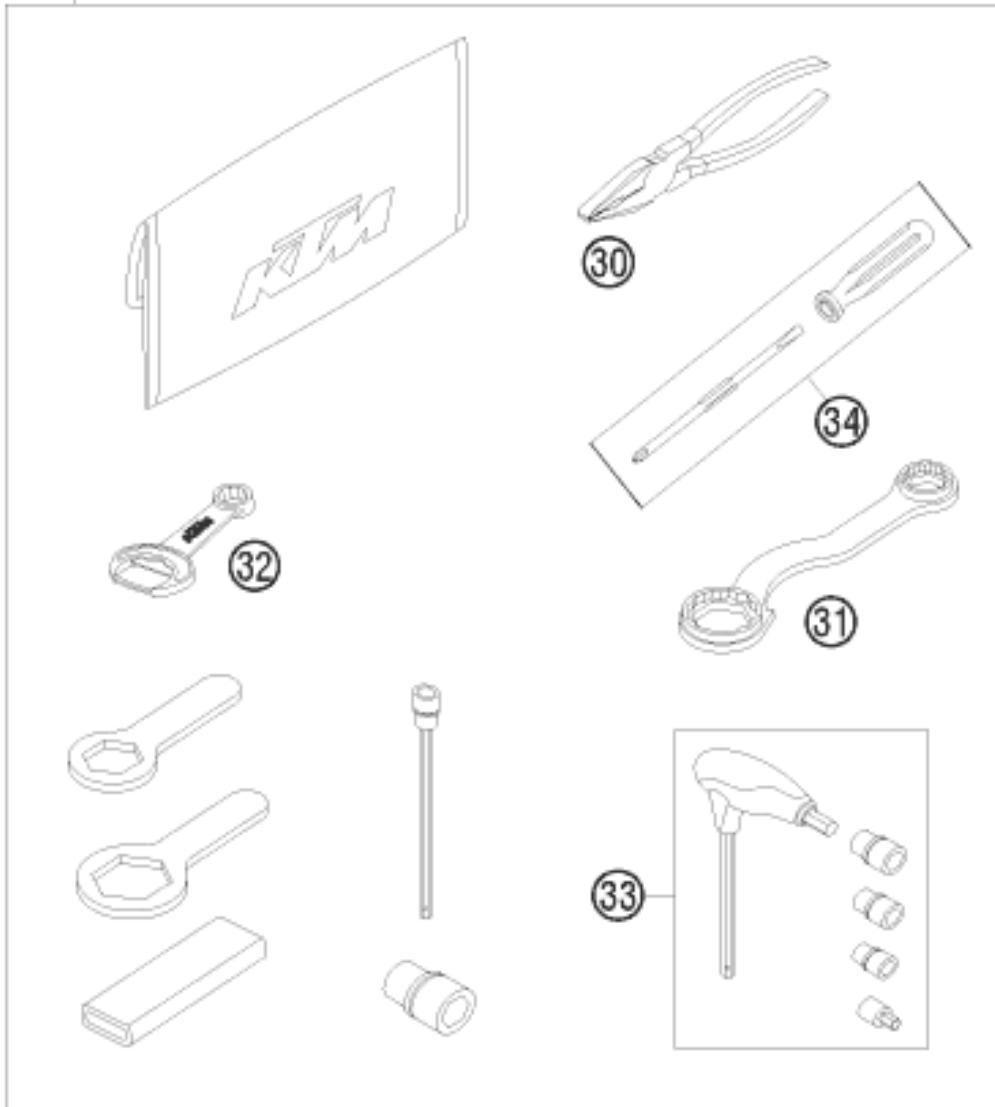
0

OHNE ABBILDUNG
WITHOUT ILLUSTRATION

1

TECHNISCHE DOKUMENTATION
TECHNICAL DOCUMENTATION
DOCUMENTACION TECNICA
DOCUMENTATION TECHNIQUE
NOTE TECNICHE

29



Pos	Part Number	Description	Additional Text	Quantity
0	00063099111	BAG FOR INSTR. MANUAL 245X170		1.00
0	312305	DOCUMENTS BAG 2006		1.00
0	312313	KTM BALLPOINT PEN ORANGE		1.00
0	3210039	CUSTOMER WELCOME LETTER		1.00
0	63003090000	UNDERRIDE PROTECTION 06		1.00
0	0019080206S	FLAT HEAD SCREW M. ISA45 M8X20		2.00
0	6250304803301S	FOOTREST BRACKET LEFT CPL. 07		1.00
0	6250304903301S	FOOTREST BRACKET RIGHT CPL. 07		1.00
0	0019080266S	COUNTER-SUNK SCREW ISA45 M8X26	ONLY FOR 78003023081	4.00
0	58303061100	SPECIAL WASHER ALU 8X24 MM ELO		2.00

0	0025080306	HH collar screw M8x30		2.00
0	0125080003	washer DIN 125 A -8.4		2.00
0	58412040100	Rear view mirror, left/right		2.00
0	60012081200	license plate mouning plate	FOR AUS ONLY	1.00
0	0024060156	HH collar screw M6x15 TX30	ONLY USA	4.00
0	0021060003	Washer DIN9021-A 6.4	ONLY USA	4.00
0	0985060003	Self lock. nut DIN985-M6-A2		4.00
0	58412080000	REFLECTOR RED	EU+AUS	1.00
0	58412080050	BRACKET FOR REFLECTOR		1.00
0	0966050163	OVAL HEAD SCREW DIN0966-M 5X16		2.00
0	40006006000	WASHER 6MM		2.00
0	0125050003	WASHER DIN0125-A 5,3		2.00
0	0985050003	Self locking nut DIN 985 M5		2.00
1	3211240	OWN. MAN. 950 SUPEREND 08/09		1.00
29	63029099100	TOOL SET 950 SUPERENDURO 08		1.00
30	53012028200	GRIP ORANGE B&F		1.00
31	50329080100	WRENCH SW=17/21/27/32 B&F		1.00
32	50329071100	WRENCH WS=13 B&F + OPENER		1.00
33	60029070200	T-WRENCH WS=6/8/10 TX=45 B&F		1.00
34	53012024100	SCREW DRIVER L=105MM		1.00