

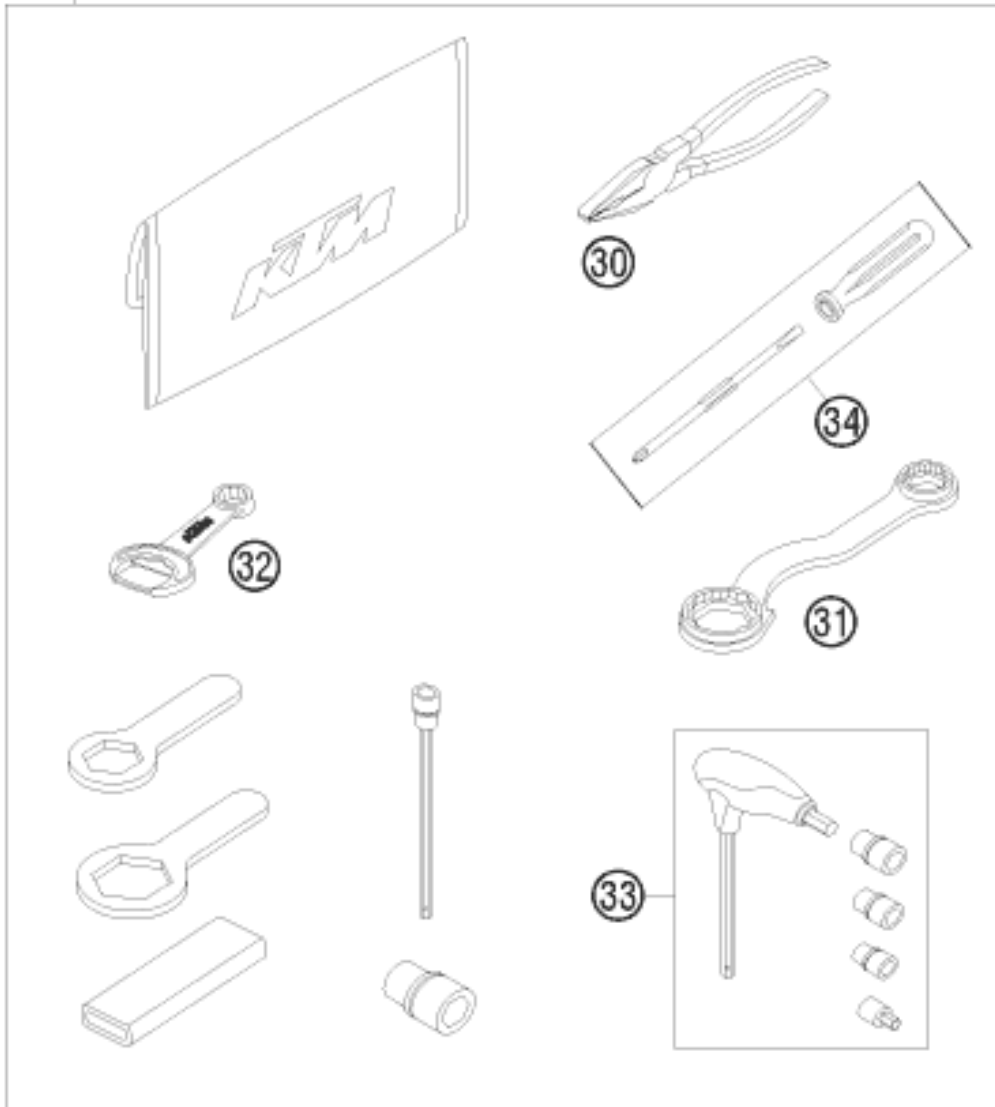
0

OHNE ABBILDUNG
WITHOUT ILLUSTRATION

1

TECHNISCHE DOKUMENTATION
TECHNICAL DOCUMENTATION
DOCUMENTACION TECNICA
DOCUMENTATION TECHNIQUE
NOTE TECNICHE

29



| Pos | Part Number | Description | Additional Text | Quantity |
|-----|----------------|--------------------------------|----------------------|----------|
| 0 | 00063099111 | BAG FOR INSTR. MANUAL 245X170 | | 1.00 |
| 0 | 312305 | DOCUMENTS BAG 2006 | | 1.00 |
| 0 | 312313 | KTM BALLPOINT PEN ORANGE | | 1.00 |
| 0 | 3210039 | CUSTOMER WELCOME LETTER | | 1.00 |
| 0 | 63003090000 | UNDERRIDE PROTECTION 06 | | 1.00 |
| 0 | 0019080206S | FLAT HEAD SCREW M. ISA45 M8X20 | | 2.00 |
| 0 | 6250304803301S | FOOTREST BRACKET LEFT CPL. 07 | | 1.00 |
| 0 | 6250304903301S | FOOTREST BRACKET RIGHT CPL. 07 | | 1.00 |
| 0 | 0019080266S | COUNTER-SUNK SCREW ISA45 M8X26 | ONLY FOR 78003023081 | 4.00 |
| 0 | 58303061100 | SPECIAL WASHER ALU 8X24 MM ELO | | 2.00 |

| | | | | |
|----|-------------|--------------------------------|--------------|------|
| 0 | 0025080306 | HH collar screw M8x30 | | 2.00 |
| 0 | 0125080003 | washer DIN 125 A -8.4 | | 2.00 |
| 0 | 58412040100 | Rear view mirror, left/right | | 2.00 |
| 0 | 60012081200 | license plate mouning plate | FOR AUS ONLY | 1.00 |
| 0 | 0024060156 | HH collar screw M6x15 TX30 | ONLY USA | 4.00 |
| 0 | 0021060003 | Washer DIN9021-A 6.4 | ONLY USA | 4.00 |
| 0 | 0985060003 | Self lock. nut DIN985-M6-A2 | | 4.00 |
| 0 | 58412080000 | REFLECTOR RED | EU+AUS | 1.00 |
| 0 | 58412080050 | BRACKET FOR REFLECTOR | | 1.00 |
| 0 | 0966050163 | OVAL HEAD SCREW DIN0966-M 5X16 | | 2.00 |
| 0 | 40006006000 | WASHER 6MM | | 2.00 |
| 0 | 0125050003 | WASHER DIN0125-A 5,3 | | 2.00 |
| 0 | 0985050003 | Self locking nut DIN 985 M5 | | 2.00 |
| 1 | 3211240 | OWN. MAN. 950 SUPEREND 08/09 | | 1.00 |
| 29 | 63029099100 | TOOL SET 950 SUPERENDURO 08 | | 1.00 |
| 30 | 53012028200 | GRIP ORANGE B&F | | 1.00 |
| 31 | 50329080100 | WRENCH SW=17/21/27/32 B&F | | 1.00 |
| 32 | 50329071000 | WRENCH WS=13/17 | | 1.00 |
| 33 | 60029070200 | T-WRENCH WS=6/8/10 TX=45 B&F | | 1.00 |
| 34 | 53012024100 | SCREW DRIVER L=105MM | | 1.00 |