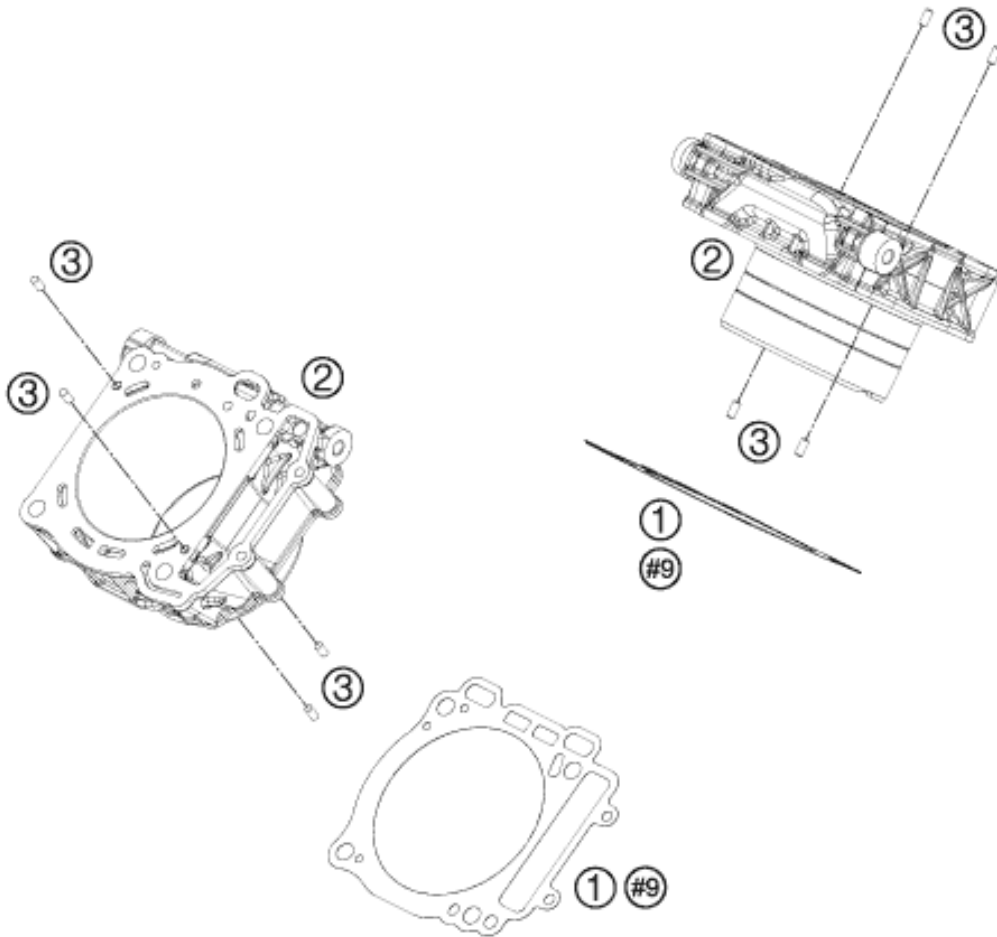


ENTHALTEN IM DICHTSATZ MOTOR KPL.
INCLUDED IN GASKET-SET ENGINE CPL.

#9

ENTHALTEN IM DICHTSATZ ZYLINDER+KOPF VORNE+HINTEN
INCLUDED IN GASKET-SET CYLINDER+HEAD FRONT+REAR



| Pos | Part Number | Description | Additional Text | Quantity |
|-----|-------------|--------------------------|-----------------|----------|
| 1 | 61230035000 | CYLINDER BASE GASKET 08 | | 2.00 |
| 2 | 61230005000 | CYLINDER 08 | | 2.00 |
| 3 | 0474050100 | GROOVED PIN DIN1474 5X10 | | 8.00 |