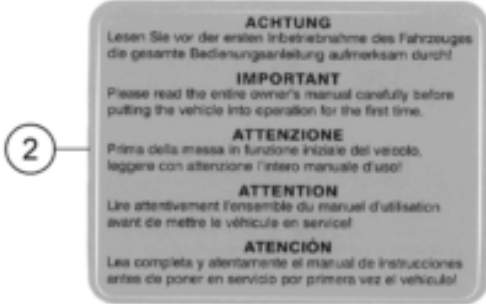


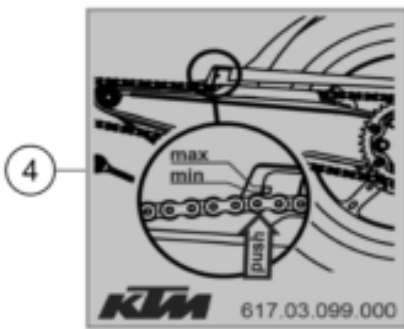


SETTING 1290 SUPER DUKE R 617.03.099.000 bike owner's manual	FORK			SHOCK		
	Compression	Rebound	Spring preload (front)	Comp. low speed	Comp. high speed	Rebound
Comfort	21	21	0	21	1,5	21
Standard	15	15	0	12	1,5	15
Sport	7	7	0	7	1,0	10
Max. payload	7	7	0	7	1,0	10
Track	5	5	0	4	0,5	10



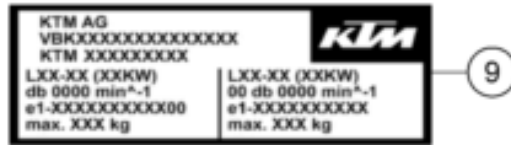
1290 SUPER DUKE R		617.03.099.000
Fuel:	RON 95 unleaded (USA = PREMIUM PON 91)	
Tyre front:	120/70 ZR17 M/C (58W) TL	
Air pressure front:	rider only	2,5 bar (36 psi)
	max. payload	2,5 bar (36 psi)
Tyre rear:	200/55 ZR17 M/C (78W) TL	
Air pressure rear:	rider only	2,5 bar (36 psi)
	max. payload	2,9 bar (42 psi)
Max. payload:	213kg (470lbs)	
Max. total weight:	425kg (937lbs)	
Engine oil:	fully synthetic 10W50 (5W/40 under 0°C, 32°F)	

Further information see owner's manual



E1	KTM
10	R05/01*8926
41	R04/08*0165
53	R03/00*0110
60	R00/05*0095
78	R04/01*0320

617.23.286.002



Pos	Part Number	Description	Additional Text	Quantity
1	50203098003	Sticker "WARNING LABEL 3"		1.00
2	50307098000	STICKER "OWNERS MANUAL"		1.00
3	61703098000	Sticker technical information		1.00
4	61703099000	Sticker chain tension		1.00
5	61703097000	Sticker standard setting		1.00
6	21007098000	Sticker fuel labelling		1.00
7	21003094000	Sticker "EAC"		1.00
8	61703095000	Sticker ECE		1.00
9	LI21-617-2C	Type label, EU KTM		1.00