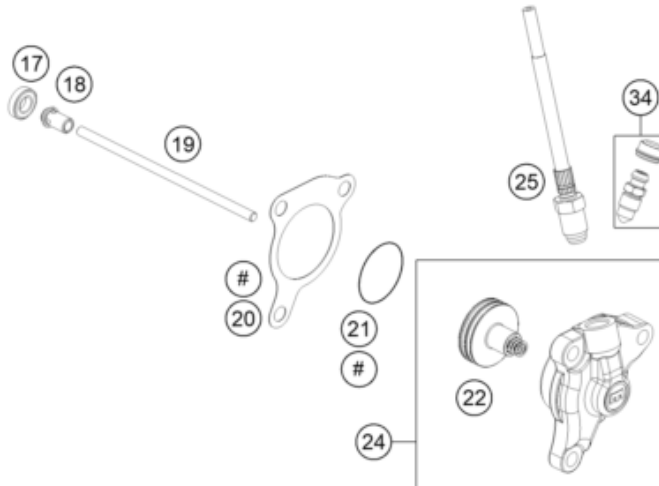
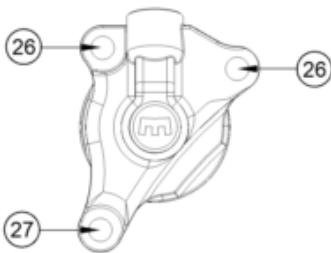


ACHTUNG!!!
Pos. 18 und 19 müssen
gemeinsam getauscht werden!

CAUTION!!!
Pos. 18 and 19 have to be
changed together!

ENTHALTEN IM DICHTSATZ MOTOR
INCLUDED IN GASKET SET ENGINE



| Pos | Part Number | Description | Additional Text | Quantity |
|-----|--------------|--------------------------|-----------------|----------|
| 1 | 014580050306 | Cyl.screw DIN14580 M5x30 | | 4.00 |
| 2 | 76632006000 | Anticentrifugal ring | | 1.00 |
| 3 | 58532080001 | CLUTCH SPRING 3,0X33,5 | | 4.00 |
| 4 | 76632003044 | pressure plate | | 1.00 |
| 5 | 60036073150 | hex nut M20x1,. H=6mm | | 1.00 |
| 6 | 75032018100 | Lock washer | | 1.00 |
| 7 | 76632002102 | Movable Hub | | 1.00 |
| 8 | 75032033000 | CLUTCH RELEASE SPRING | | 4.00 |
| 9 | 76632002101 | Fixed Hub | | 1.00 |
| 10 | 75032009000 | STEPPED WASHER 07 | | 1.00 |
| 11 | 75032007000 | HALF-WASHER 07 | | 2.00 |

| | | | |
|----|-------------|--------------------------------|------|
| 12 | 75032001244 | Clutch housing cpl. | 1.00 |
| 14 | 75032050001 | OIL PUMP DRIVE WHEEL 07 | 1.00 |
| 15 | 56532095000 | NEEDLE BEARING K26X30X22ZW.KSE | 1.00 |
| 16 | 75032017000 | WASHER 26X40X2 07 | 1.00 |
| 17 | 0625060016 | deep groove ball bearing 6001. | 1.00 |
| 18 | 75032055100 | PRESSURE BOLT 08 | 1.00 |
| 19 | 75032054200 | PUSH ROD 08 | 1.00 |
| 20 | 59032065100 | GASKET F. OUTPUT CYLINDER | 1.00 |
| 21 | 0770300015 | O-ring 30x1.5 NBR 70 | 1.00 |
| 22 | 76132066000 | Piston kit output Cyl. Dot Cpl | 1.00 |
| 24 | 76132061044 | Output Cyl. Dot Cpl. 27mm | 1.00 |
| 25 | 76032063000 | CLUTCH PIPE 1100MM | 1.00 |
| 26 | 0025060206 | HH collar screw M6x20 TX30 | 2.00 |
| 27 | 0025060356 | HH collar screw M6x35 TX30 | 1.00 |
| 28 | 75032112000 | STEEL DISK 1,5 MM LC4 '07 | 6.00 |
| 29 | 76632011000 | LINING DISK 2,7MM FCC 02 | 7.00 |
| 30 | 58632016000 | RONDELLA ANTIVIBRAZIONE SET | 1.00 |
| 31 | 76632010000 | LINING DISC CUT OUT | 1.00 |
| 32 | 75032112100 | STEEL DISK 1,5MM NITRIDED | 1.00 |
| 33 | 75032032000 | HOLDING SCREW GMB-M5X35 | 2.00 |
| 34 | 54732064000 | BLEEDER SCREW WITH CAP | 1.00 |
| 99 | 76632010033 | Clutch Disk Kit without spring | 1.00 |