

**1**

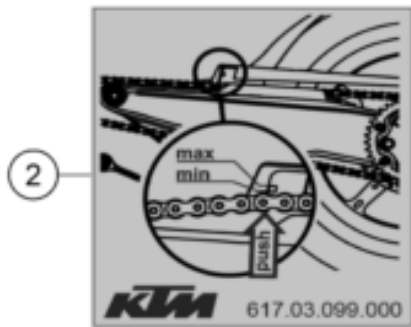
**ACHTUNG**  
 Lesen Sie vor der ersten Inbetriebnahme des Fahrzeuges die gesamte Bedienungsanleitung aufmerksam durch!

**IMPORTANT**  
 Please read the entire owner's manual carefully before putting the vehicle into operation for the first time.

**ATTENZIONE**  
 Prima della messa in funzione iniziale del veicolo, leggere con attenzione l'intero manuale d'uso!

**ATTENTION**  
 Lire attentivement l'ensemble du manuel d'utilisation avant de mettre le véhicule en service!

**ATENCIÓN**  
 Lea completa y atentamente el manual de instrucciones antes de poner en servicio por primera vez el vehículo!



**3**

**KTM** IMPORTED BY KTM AG AUSTRIA  
 MANUFACTURER'S TYPE NO. DATE

CHASSIS NO.	XXX XX	XXX XX	XXX XXX	XXX TYPE
CHASSIS YEAR	XXX XX	XXX XX	XXX XX	XXX TYPE

THIS VEHICLE CONFORMS TO ALL APPLICABLE U.S. FEDERAL MOTOR VEHICLE SAFETY STANDARDS IN EFFECT ON THE DATE OF MANUFACTURE SHOWN ABOVE.  
**VBXXXXXXXXXXXX**

**4**

**KTM** IMPORTED BY KTM AG AUSTRIA  
 MANUFACTURER'S TYPE NO. DATE

CHASSIS NO.	XXX XX	XXX XX	XXX XXX	XXX TYPE
CHASSIS YEAR	XXX XX	XXX XX	XXX XX	XXX TYPE

THIS VEHICLE CONFORMS TO ALL APPLICABLE CANADIAN MOTOR VEHICLE SAFETY STANDARDS IN EFFECT ON THE DATE OF MANUFACTURE SHOWN ABOVE.

**5**

**MOTORCYCLE NOISE EMISSION CONTROL INFORMATION**  
 THIS XXXX XXXXXXXX MOTORCYCLE, XXX XX XXX XXX, MEETS EPA NOISE EMISSION REQUIREMENTS OF 39 USC 47, 40XX RPM BY THE FEDERAL TEST PROCEDURE. MODIFICATIONS WHICH CAUSE THIS MOTORCYCLE TO EXCEED FEDERAL NOISE STANDARDS ARE PROHIBITED BY U.S. FEDERAL LAW. SEE OWNER'S MANUAL.  
 Motorcycle Type: XXXXXXXXXXXXXXX

**6**

**KTM** IMPORTED BY KTM AG AUSTRIA  
 MANUFACTURER'S TYPE NO. DATE

CHASSIS NO.	XXX XX	XXX XX	XXX XXX	XXX TYPE
CHASSIS YEAR	XXX XX	XXX XX	XXX XX	XXX TYPE

THIS VEHICLE CONFORMS TO ALL APPLICABLE U.S. FEDERAL MOTOR VEHICLE SAFETY STANDARDS IN EFFECT ON THE DATE OF MANUFACTURE SHOWN ABOVE.

ENGINE TYPE	XXX-XXX
MAXIMUM SPEED	XXX-XXX MPH (XXX-XXX KM/H)
MAXIMUM TORQUE	XXX-XXX NM (XXX-XXX LB-FT)
MAXIMUM POWER	XXX-XXX HP (XXX-XXX KW)
MAXIMUM FUEL CONSUMPTION	XXX-XXX L/100 KM (XXX-XXX MPG)

Pos	Part Number	Description	Additional Text	Quantity
1	50307098000	STICKER "OWNERS MANUAL"		1.00
2	61703099000	Sticker chain tension		1.00
3	LI21-617-11	Type label, USA KTM		1.00
4	LI21-617-12	Type label for Canada		1.00
5	LI22-617-13	Noise emission sticker USA		1.00
6	LI22-617-6	Emissions sticker 5 KTM		1.00