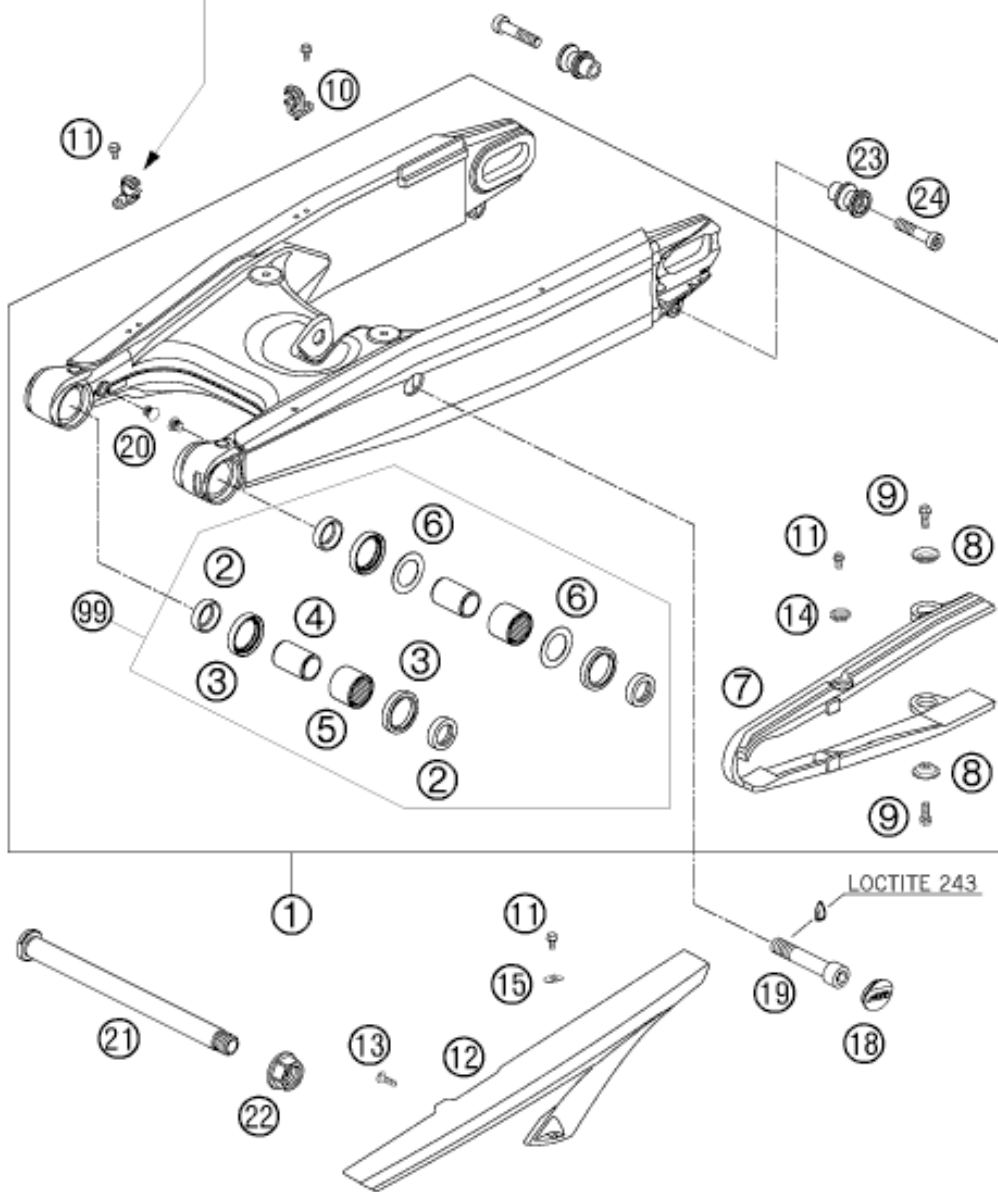


**!** **VORSICHT / WARNING**  
MONTAGE-RICHTUNG / MOUNTING DIRECTION



Pos	Part Number	Description	Additional Text	Quantity
1	6100403004433	SWING ARM CPL. SM-R SD-R 07		1.00
2	60004034000	Bucket f. shaft seal ring 03		4.00
3	0760304073	Radial shaft seal 30X40X7		4.00
4	60004032000	INNER RING JR20X25X38,5 03		2.00
5	60004031000	NEEDLE BUSH HK2526B 03		2.00
6	60004033000	Stop disk 03		2.00
7	60004066100	CHAIN SLID. GUARD SWINGARM 05		1.00
8	72210079000	BUCKET		2.00
9	59009062016	SPECIAL SCREW M6X16 WS=8 10.9		2.00
10	5461107610030	RET. CLAMP F. BRAKE HOSE BLACK		2.00
11	0009050103	SPECIAL SCREW M 5,0X10		4.00
12	61004060000	CHAINGUARD 05		1.00
13	0081500181	SCREW FOR PLASTIC D=5X18		1.00
14	46104066050	BUSH FOR CHAINSLIDER GUARD 02		1.00

15	61004060050	WASHER CHAINGUARD 05		1.00
18	60004041000	PLUG SWINGARM 03		1.00
19	60004017000	SCREW M14X1,5 L=73MM 03		1.00
20	55009086000	PLUG SFL13		2.00
21	60004037144	SWINGARM BOLT CPL. 05		1.00
22	60004038000	COLLAR NUT M19X1,5 WS=27MM		1.00
23	61104020000	QUICK SUPPORT MAIN STAND		2.00
24	0912100456	AH SCREW DIN6912-M10X45 10.9		2.00
99	60004230010	SWINGARM REP. KIT		1.00