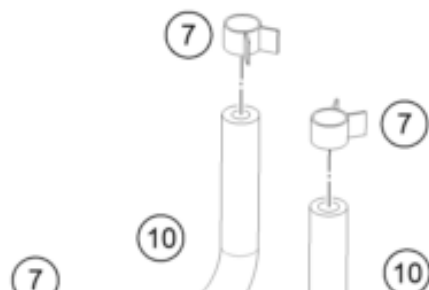
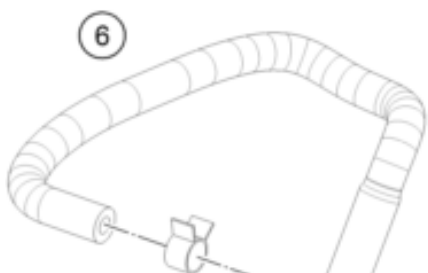
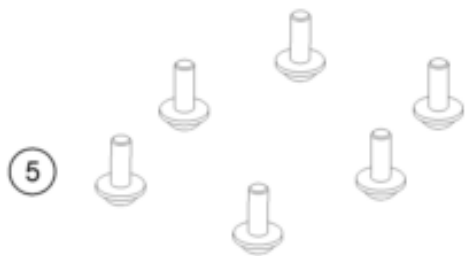
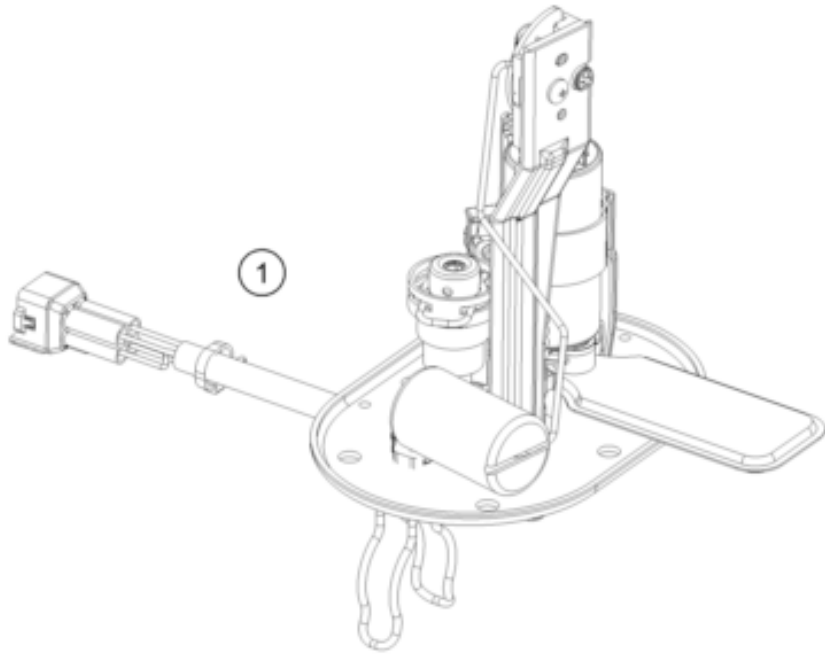
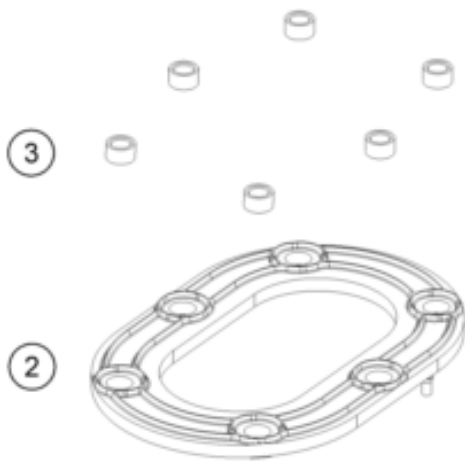




200 DUKE, black, w/o ABS - B.D. 2022 <2022><EU><F4103V5>  
FUEL PUMP  
56070

---



| <b>Pos</b> | <b>Part Number</b> | <b>Description</b>             | <b>Additional Text</b> | <b>Quantity</b> |
|------------|--------------------|--------------------------------|------------------------|-----------------|
| 1          | 90107088000        | FUEL PUMP                      |                        | 1.00            |
| 2          | 90207088002        | FUEL PUMP GASKET               |                        | 1.00            |
| 3          | 93041029010        | Spacing tube control unit brac |                        | 6.00            |
| 4          | J126050126         | Washer 5,2x12x1                |                        | 6.00            |
| 5          | J025050146         | bolt flanged                   |                        | 6.00            |
| 6          | 95807016060        | Hose, gasoline resistant       |                        | 1.00            |
| 7          | 90107018011        | CLAMP 10MM                     |                        | 5.00            |
| 8          | 90607017003        | SPRING BAND CLAMP D13          |                        | 1.00            |
| 9          | 90107018000        | FUEL FILTER                    |                        | 1.00            |
| 10         | 90507018000        | FUEL PIPE SHORT                |                        | 2.00            |