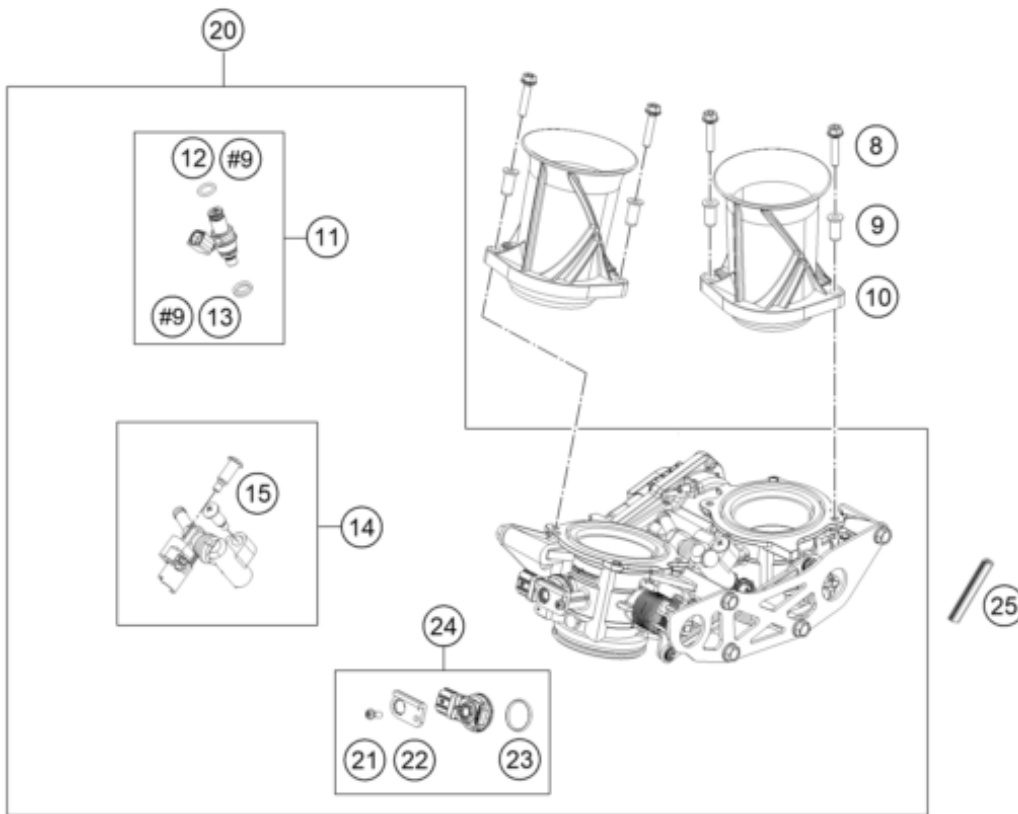
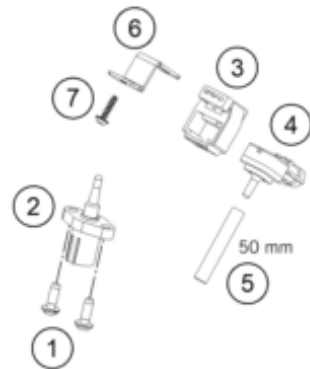


ENTHALTEN IM DICHTSATZ MOTOR KPL.  
 INCLUDED IN GASKET-SET ENGINE CPL.

#9



Pos	Part Number	Description	Additional Text	Quantity
1	0081050161	EJOT PT SCREW K50X16 1451		2.00
2	61041080000	AMBIENT-AIR TEMPERATURE SENSOR		1.00
3	61041085150	RUBBER SUPP. PRESSURE SENS. 06		1.00
4	61041085100	PRESSURE SENSOR 06		1.00
5	60031098001	HOSE 3,2X8,5 PER METER		0.00
6	60311040100	BRACKET PRESSURE SENSOR		1.00
7	0081050181	SCREW FOR PLASTIC K50X18 T20	300 TPI Erzbergrodeo	1.00
8	0025050256S	HH collar screw M5x25 TX30		4.00
9	60306042010	Bushing intake funnel		4.00
10	60341040100	INTAKE TRUMPET LENGTH 100		2.00
11	60341023044	FUEL INJECTOR CPL.		2.00
12	60341023020	O-RING		2.00

13	75041023010	SEAL RING		2.00
14	60341013044	FUEL PIPE CPL.		1.00
15	75041013060	SCREW SHOULDER		2.00
20	61941001000	Throttle valve body		1.00
21	75041085030	SCREW WASHER		2.00
22	75041085020	PLATE, STAY		2.00
23	75041085010	O-RING		2.00
24	75041085044	MAP SENSOR CPL. 07		2.00
25	61011055045	EDGE PROTECTOR L=45MM 05		2.00