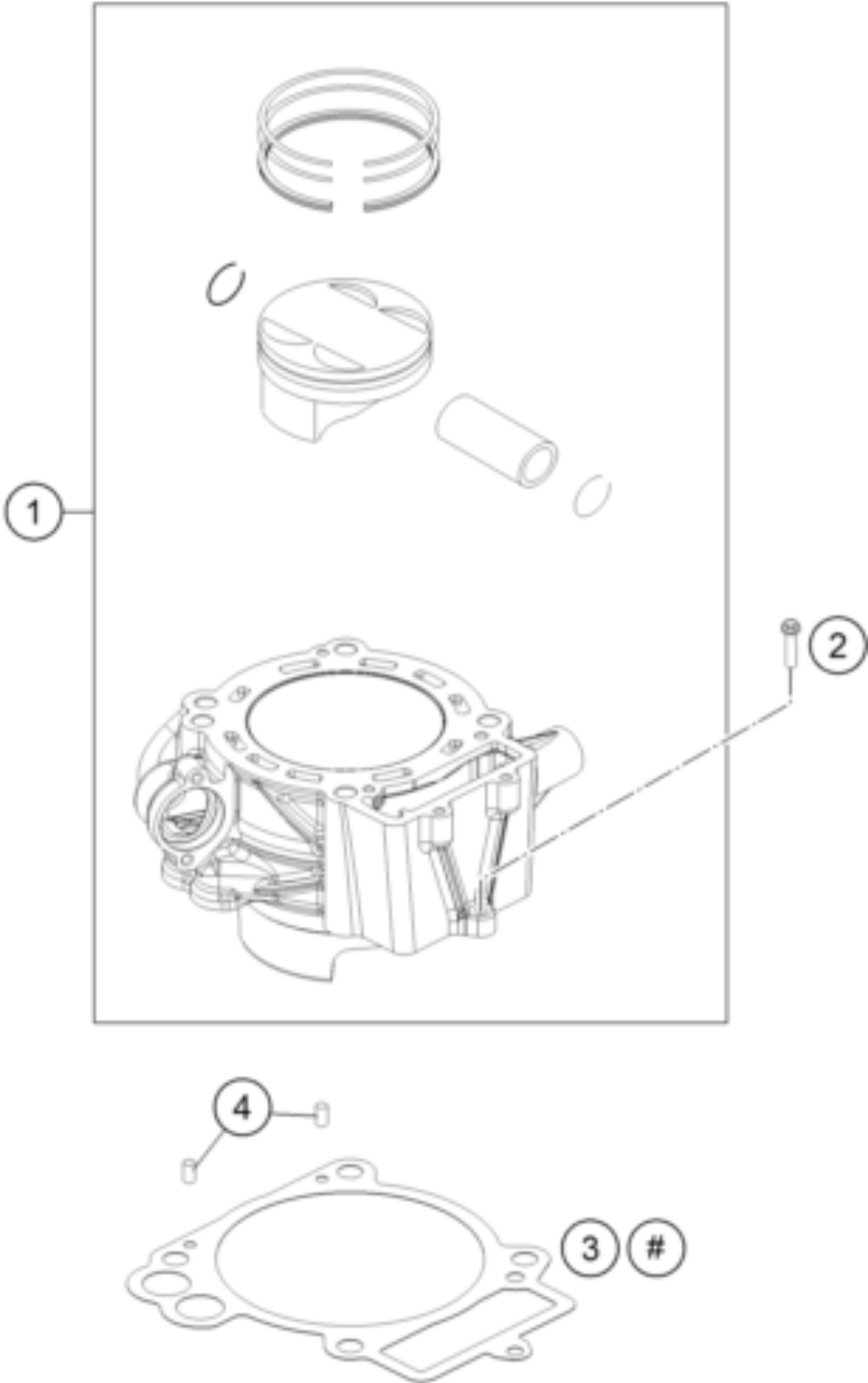


ENTHALTEN IM DICHTSATZ MOTOR LC4
INCLUDED IN GASKET-SET ENGINE LC4



| Pos | Part Number | Description | Additional Text | Quantity |
|-----|---------------|-----------------------------|-----------------|----------|
| 1 | 7663013824424 | Cylinder + piston | | 1.00 |
| 2 | 0025060256S | SK-BUNDSCHRAUBE M6X25 ISA30 | | 1.00 |

| | | | | |
|---|-------------|----------------------|--|------|
| 3 | 76630135000 | Cylinder base gasket | | 1.00 |
| 4 | 59030023100 | Dowel, 6x8x11.5 | | 2.00 |