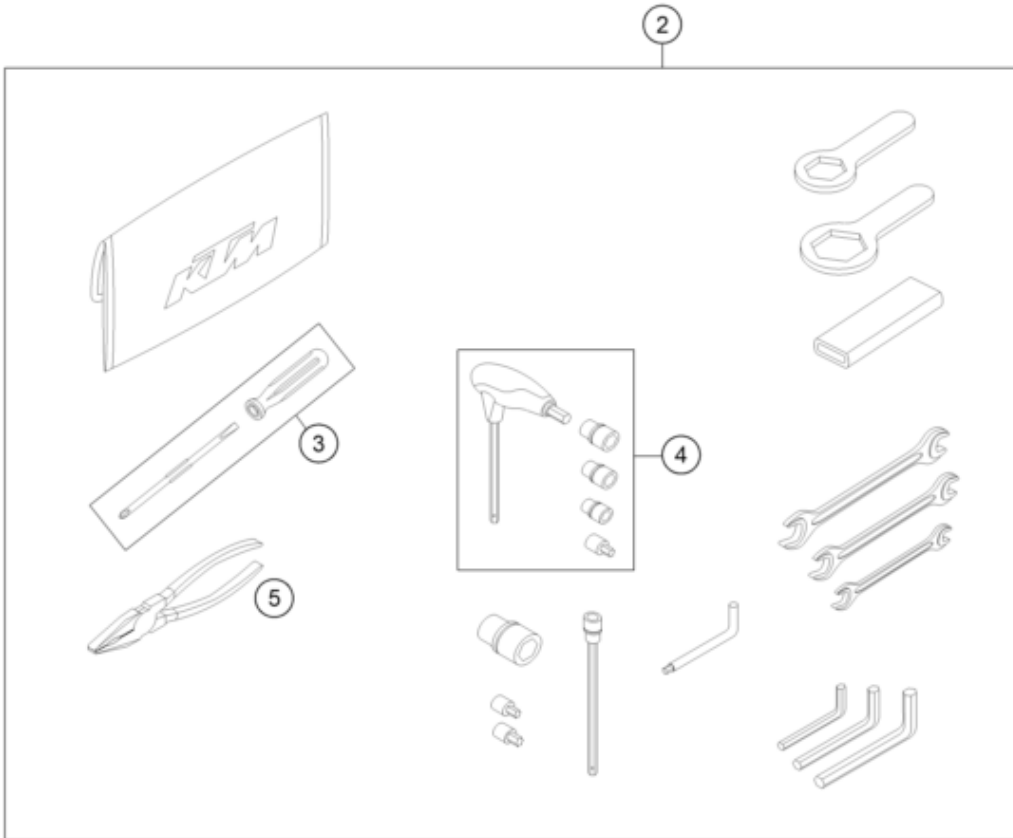


0
OHNE ABBILDUNG
WITHOUT ILLUSTRATION

1
TECHNISCHE DOKUMENTATION
TECHNICAL DOCUMENTATION
DOCUMENTACION TECNICA
DOCUMENTATION TECHNIQUE
NOTE TECNICHE



Pos	Part Number	Description	Additional Text	Quantity
0	00063004105	950 ADV. CARTON F WIND PROT.		1.00
0	60708508000	Windshield short USA		1.00
0	00063099114	Pocket for operating manual 29		1.00
0	3213420	MANUAL SETUP REFLECTOR		1.00
0	69014017000	SPECIAL SCREW M6X18 ISA30 08		2.00
0	58412080400	Rear reflector red		1.00
0	0024060156	HH collar screw M6x15 TX30	ONLY USA	2.00
0	58412080050	BRACKET FOR REFLECTOR		1.00
0	0024060206	HH collar screw M6x20 TX30		4.00
0	40006006000	WASHER 6MM		2.00
0	60335040000	RADIATOR PROTECTOR	ONLY AUS	1.00
0	0966050163	OVAL HEAD SCREW DIN0966-M 5X16		2.00
0	60312968344EB	Crash bars		1.00
0	0125050003	WASHER DIN0125-A 5,3		2.00
0	60703096000	Frame protection sticker "Read		1.00
0	0985050003	Self locking nut DIN 985 M5		2.00
0	312305	DOCUMENTS BAG 2006		1.00
0	3210040	CUSTOMER WELCOME LETTER		1.00
0	16512180100	SIDE REFLECTOR RED REAR	ONLY FOR USA	4.00

0	62512081100	BRACKET SIDE REFLECTOR	ONLY USA	1.00
0	312313	KTM BALLPOINT PEN ORANGE		1.00
0	00063004202	PRINT LABEL 60X51 MM		2.00
0	60012081300	Licence fitting		1.00
0	60708008070	rubber bush windshield fixatio		4.00
0	60708008071	Special screw M5x14		4.00
0	0021060003	Washer DIN9021-A 6.4	ONLY USA	2.00
0	0985060003	Self lock. nut DIN985-M6-A2		4.00
0	0125060003	WASHER DIN0125-A 6,4		4.00
0	45239060050	COLLAR BUSHING 6,3X8X13X9,5		2.00
0	60312040100	MIRROR		2.00
0	6030319000030	SKID PLATE ADV		1.00
0	60308006000	COLLAR BUSHING 6,2X9,2X15X12,5		2.00
0	60408061050	RUBBER 14X6.5X2.3MM		4.00
0	0025060306	HH collar screw M6x30 TX30		2.00
0	60003096000	VIBRATION DAMPER 03		2.00
0	0025060406	HH collar screw M6x40 TX30		2.00
0	3212683ENE	PW STREET FOLDER 2016		1.00
0	3212678DE/ENE	PP STREET FOLDER 2016		1.00
0	00063004012	HEADLIGHT MASK BOX		1.00
0	00063002015	FOAM SHEET 1290 ADV.	ONLY EU & FR	2.00
0	3210917	NOTEPAD		1.00
0	6030218004430	HANDSCHUTZ LI. KPL. M. BEFEST.		1.00
0	6030218104430	HANDSCHUTZ RE. KPL. M. BEFEST.		1.00
0	20180189INT	Sticker accessory kit		1.00
0	20180195INT	KTM Bypack Folder Street		1.00
0	60003045044	Footrest rubber front left rig		1.00
0	00063099014	GRIFFSCHUTZ NOMAPACK 28/13		2.00
0	00063004204	Self-ad. stkr. 100X200 mm, per		2.00
1	3214096EN	Own. Man. 1290 Super Adventure		1.00
2	60329099000	TOOL KIT		1.00
3	53012024100	SCREW DRIVER L=105MM		1.00
4	60029070300	T-WRENCH WS=6/8/10/TX45/SK4X1		1.00
5	53012028200	GRIP ORANGE B&F		1.00