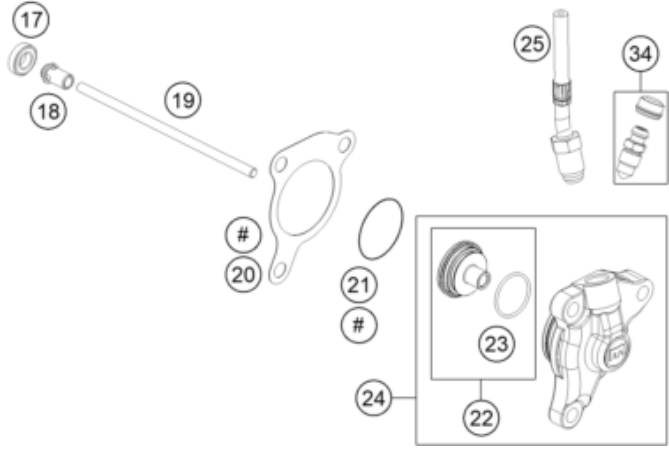
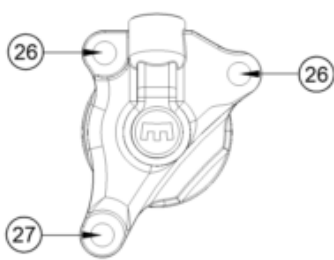


**ACHTUNG!!!**  
Pos. 18 und 19 müssen  
gemeinsam getauscht werden!

**CAUTION!!!**  
Pos. 18 and 19 have to be  
changed together!

# ENTHALTEN IM DICHTSATZ MOTOR  
INCLUDED IN GASKET SET ENGINE



Pos	Part Number	Description	Additional Text	Quantity
1	014580050306	Cyl.screw DIN14580 M5x30		4.00
2	76632006000	Anticentrifugal ring		1.00
3	58532080000	CLUTCHSPRING 3,0X33,5		4.00
4	76632003044	pressure plate		1.00
5	60036073150	hex nut M20x1, H=6mm		1.00
6	75032018100	Lock washer		1.00
7	76632002002	Movable Hub		1.00
8	75032033000	CLUTCH RELEASE SPRING		4.00
9	76632002001	Fixed Hub		1.00
10	75032009000	STEPPED WASHER 07		1.00
11	75032007000	HALF-WASHER 07		2.00

12	75032001144	CLUTCH CAGE CPL. 79T	1.00
14	75032050001	OIL PUMP DRIVE WHEEL 07	1.00
15	56532095000	NEEDLE BEARING K26X30X22ZW.KSE	1.00
16	75032017000	WASHER 26X40X2 07	1.00
17	0625060016	deep groove ball bearing 6001.	1.00
18	75032055100	PRESSURE BOLT 08	1.00
19	75032054200	PUSH ROD 08	1.00
20	59032065100	GASKET F. OUTPUT CYLINDER	1.00
21	0770300015	O-ring 30x1.5 NBR 70	1.00
22	26632066000	PISTONKIT OUTPUT ZYL. DOT 27MM	1.00
23	26632067000	O-Ring 23,52x1,78 EPDM	1.00
24	79432061144	Output Cyl. Dot Cpl. 27mm	1.00
25	76032063000	CLUTCH PIPE 1100MM	1.00
26	0025060206	HH collar screw M6x20 TX30	2.00
27	0025060356	HH collar screw M6x35 TX30	1.00
28	75032112000	STEEL DISK 1,5 MM LC4 '07	6.00
29	58332011300	LINING DISK 2,7MM FCC 02	7.00
30	58632016000	RONDELLA ANTIVIBRAZIONE SET	1.00
31	75032111100	LINING DISC CUT OUT	1.00
32	75032112100	STEEL DISK 1,5MM NITRIDED	1.00
33	75032032000	HOLDING SCREW GMB-M5X35	2.00
34	54732064000	BLEEDER SCREW WITH CAP	1.00
99	75032011110	CLUTCH KIT 690/701	1.00