

0

OHNE ABBILDUNG
WITHOUT ILLUSTRATION

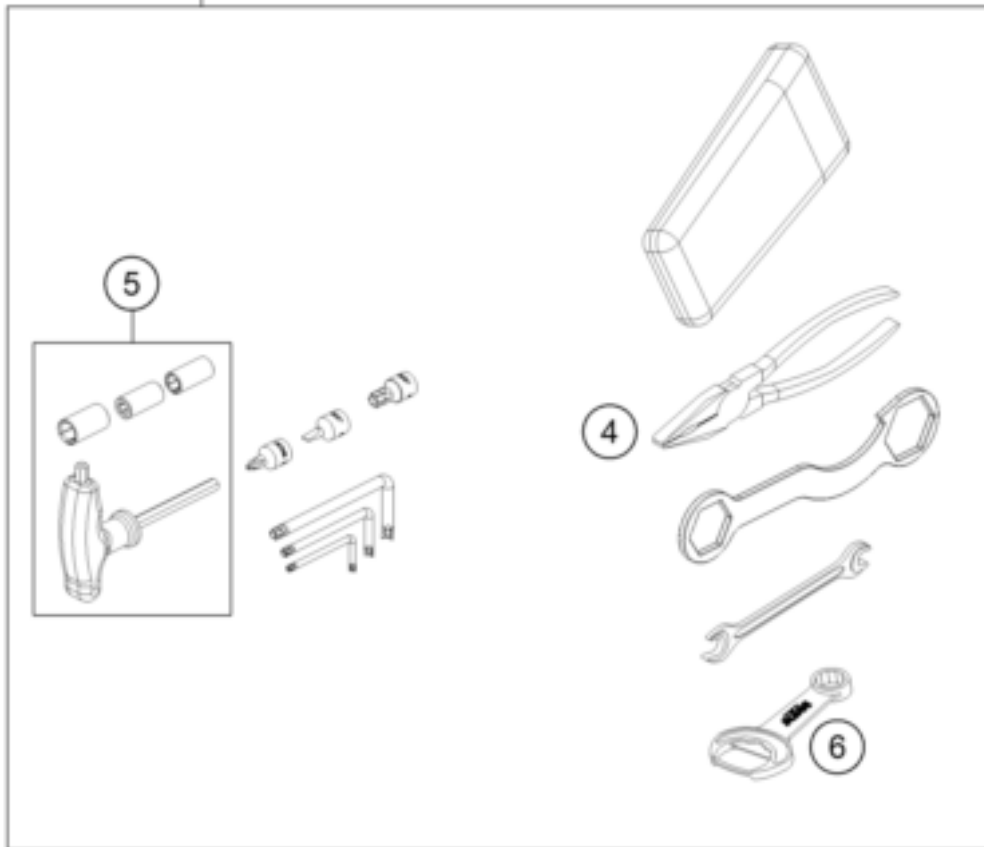
1

TECHNISCHE DOKUMENTATION
TECHNICAL DOCUMENTATION
DOCUMENTACION TECNICA
DOCUMENTATION TECHNIQUE
NOTE TECNICHE

2



3



Pos	Part Number	Description	Additional Text	Quantity
0	76912008000	passenger handle bar left		1.00
0	76912009000	passenger handle bar right		1.00
0	76902179000C1	Handguard SMC-R compl. left+rig		1.00
0	76903038050	Heel protector, left		1.00
0	76903039050	Heel protector, right		1.00
0	0025080126	HH collar screw M8x12 TX40		4.00
0	60003040133	FOOTPEG LS+RS CPL.		1.00
0	75008023000	Washer tail section UT D=14mm		4.00
0	60408061050	RUBBER 14X6.5X2.3MM		2.00
0	58412080400	Rear reflector red		1.00
0	64112181000	Bracket for reflector		1.00

0	312305	DOCUMENTS BAG 2006		1.00
0	3210917	NOTEPAD		1.00
0	312313	KTM BALLPOINT PEN ORANGE		1.00
0	00063099114	Pocket for operating manual 29		1.00
0	7690304803301	Rear footpeg bracket left cmpl		1.00
0	7690304903301	Rear footpeg bracket right cmp		1.00
0	0025080166	HH COLLAR SCREW M8X16 TX40		4.00
0	61112040000	REVIEW MIRROR L/S 07		1.00
0	61112041000	REVIEW MIRROR R/S 07		1.00
0	58412040050	SUPPORT FOR MIRROR LC4 '98	SUPERMOTO PRESTIGE	2.00
0	20180189INT	Sticker accessory kit		1.00
0	00063004202	PRINT LABEL 60X51 MM		1.00
0	0025050126	HH collar screw M5x12 TX30		4.00
0	20180195INT	KTM Bypack Folder Street		1.00
0	79602979044	Wrap-around handguard		1.00
0	58412080300	REFLECTOR YELLOW "CEV"	ONLY USA & AUS	2.00
0	00063099014	GRIFFSCHUTZ NOMAPACK 28/13		2.00
0	0025080556	HH collar screw M8x55 TX40		4.00
1	3213921EN	Own.manual 690 SMC-R 2019		1.00
2	76503025000	RUBBER SIDE STAND		1.00
3	76929099000	On-board tool kit		1.00
4	53012028200	GRIP ORANGE B&F		1.00
5	50329070000	T-WRENCH WS=6/8/10 '97		1.00
6	50329071100	WRENCH WS=13 B&F + OPENER		1.00