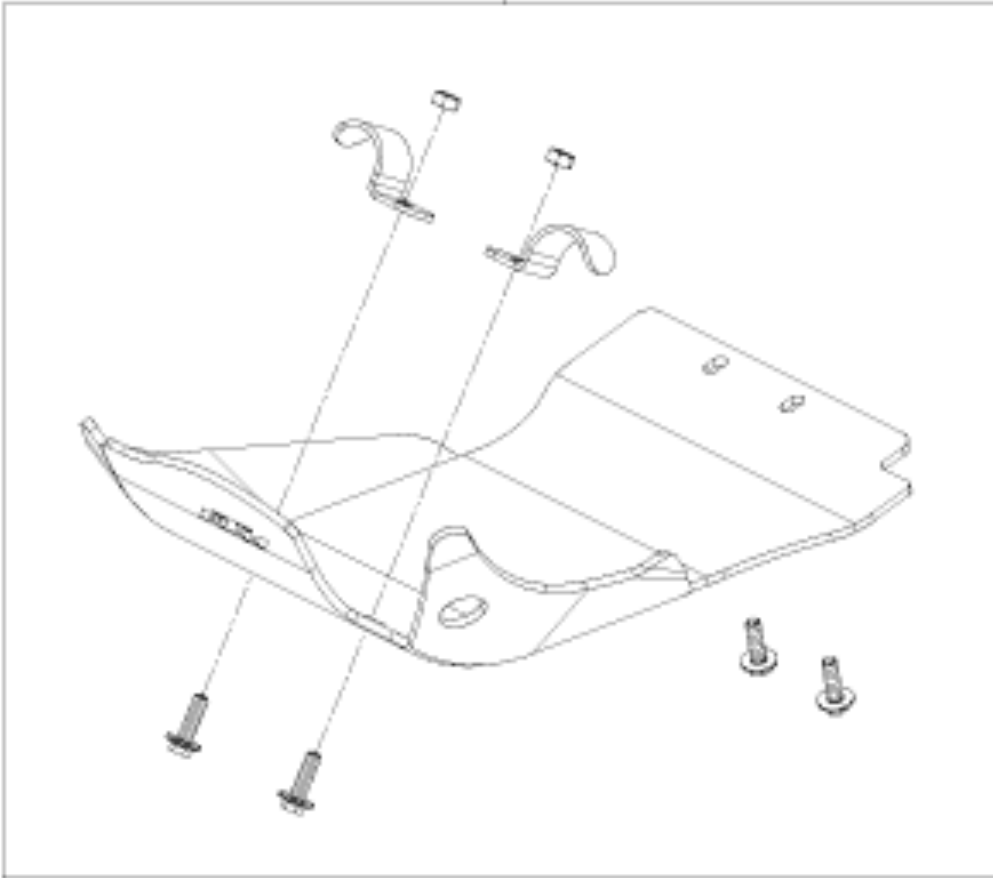


①



Pos	Part Number	Description	Additional Text	Quantity
1*	50303090500	KTM SKID PLATE ALU 125/200EXC		1.00

\* = New part