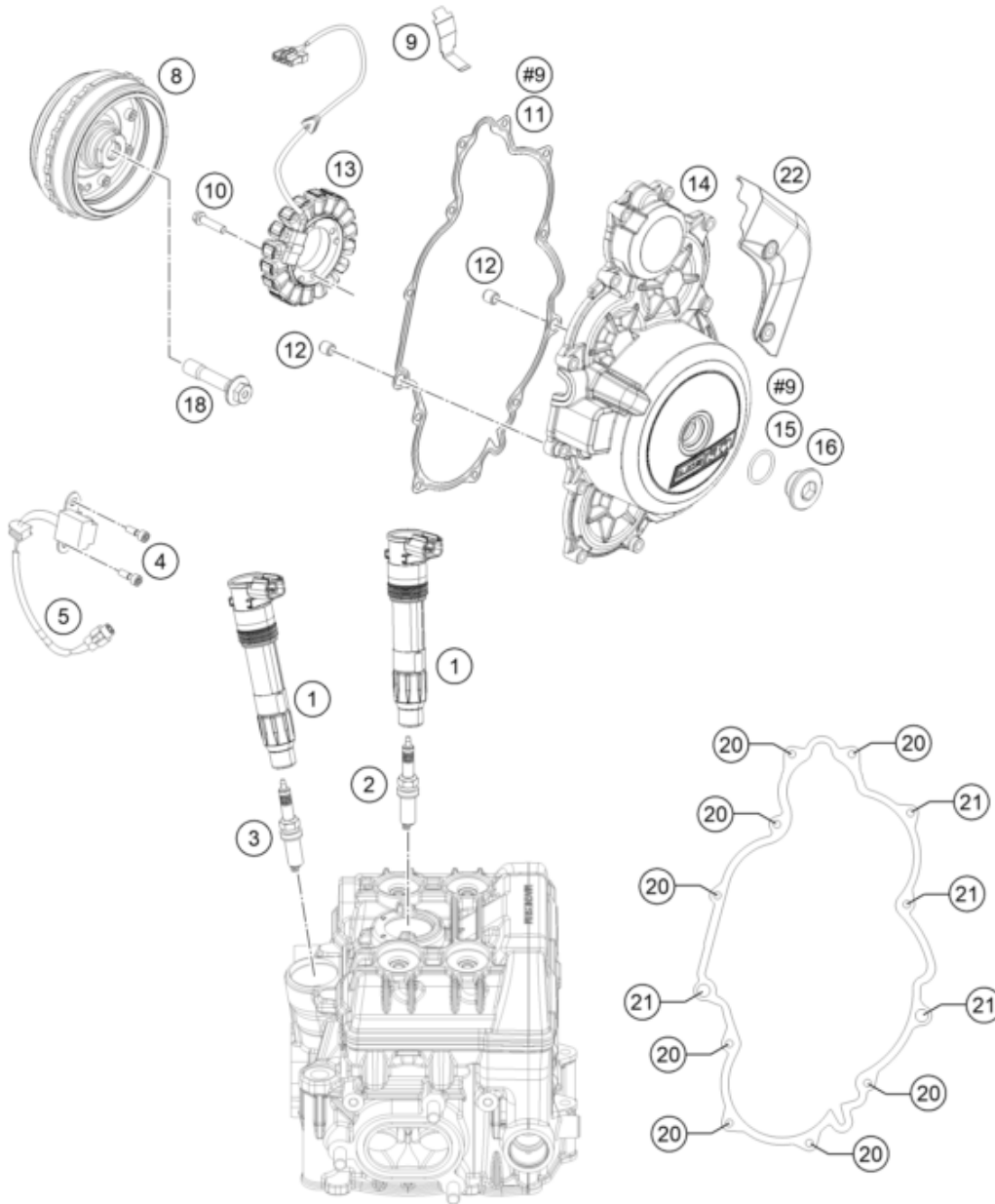


#9 ENTHALTEN IM DICHTSATZ MOTOR KPL.  
INCLUDED IN GASKET-SET ENGINE CPL.



Pos	Part Number	Description	Additional Text	Quantity
1	76039006000	STICK COIL		4.00
2	60439093000	SPARK PLUG M12X1.25		2.00
3	60439094000	SPARK PLUG		2.00
4	60339035000	SPECIAL SCREW M5X16		2.00
5	59039034000	pulse generator KOKUSAN 4K3-A/		1.00
8	61539005000	Rotor complete		1.00
9	60039040020	generator line bracket		1.00
10	0025060256S	SK-BUNDSCHRAUBE M6X25 ISA30		4.00
11	61230040100	GASKET GENERATORCOVER		1.00
12	49030090000	DOWEL 9,8 X 7 X 10	FS-E	2.00
13	60339004000	STATOR		1.00
14	6023010214441	IGNITION COVER WITH BEARINGS		1.00
15	07700240251	o-ring 24.00x2.50 Viton		1.00
16	6003009400030	threaded plug M24x1.5 PA 6.6		1.00

18	60339003000	special screw M12x1.5 WS15		1.00
20	0025060306	HH collar screw M6x30 TX30		8.00
21	0025060356	HH collar screw M6x35 TX30		4.00
22	61411095000	Plug cover		1.00