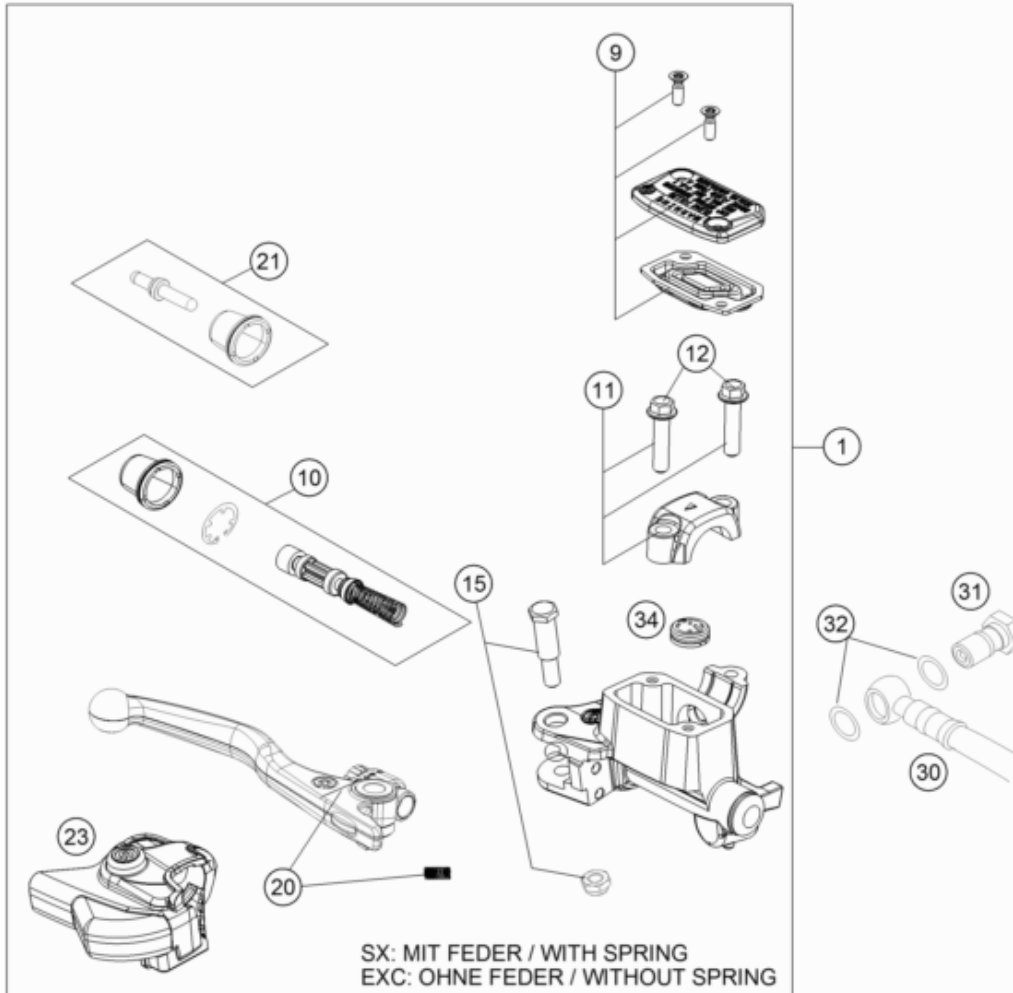


ACHTUNG !!!
Nur für Brembo!



CAUTION !!!
For Brembo only!



| Pos | Part Number | Description | Additional Text | Quantity |
|-----|-------------|--------------------------------|-----------------|----------|
| 1 | 77713001044 | HAND BRAKE CYLIND. CPL. SX 201 | | 1.00 |
| 9 | 77713003000 | HAND BRAKE CYL. COVER | | 1.00 |
| 10 | 77713008000 | REPAIR KIT PISTON SX 2014 | | 1.00 |
| 11 | 54802005100 | CLAMP CPL. 06 | | 1.00 |
| 12 | 0025060256 | HH collar screw M6x25 TX30 | | 2.00 |
| 15 | 77713006000 | LEVER SCREW | | 1.00 |
| 20 | 77713002000 | Hand brake lever + spring SX 1 | | 1.00 |
| 21 | 77713007000 | PUSH ROD CPL. SX 2014 | | 1.00 |
| 23 | 77713004000 | Protection cap, hand brake cyl | | 1.00 |
| 30 | 59013010000 | Brakeho. Front 1235mm 2000 | 125-380 SX | 1.00 |
| 31 | 54813020100 | banjo bolt M10x1x19 black | SX, EXC USA | 1.00 |

| | | | | |
|----|-------------|-------------------------------|---------------------------|------|
| 32 | 0603100141 | sealing ring DIN 7603 10x14x1 | ONLY FOR LC4 ADVENTURE | 2.00 |
| 34 | 54802051000 | VALVE | | 1.00 |
| 80 | 00062030000 | Brake fluid DOT5.1 0,25L | | 1.00 |