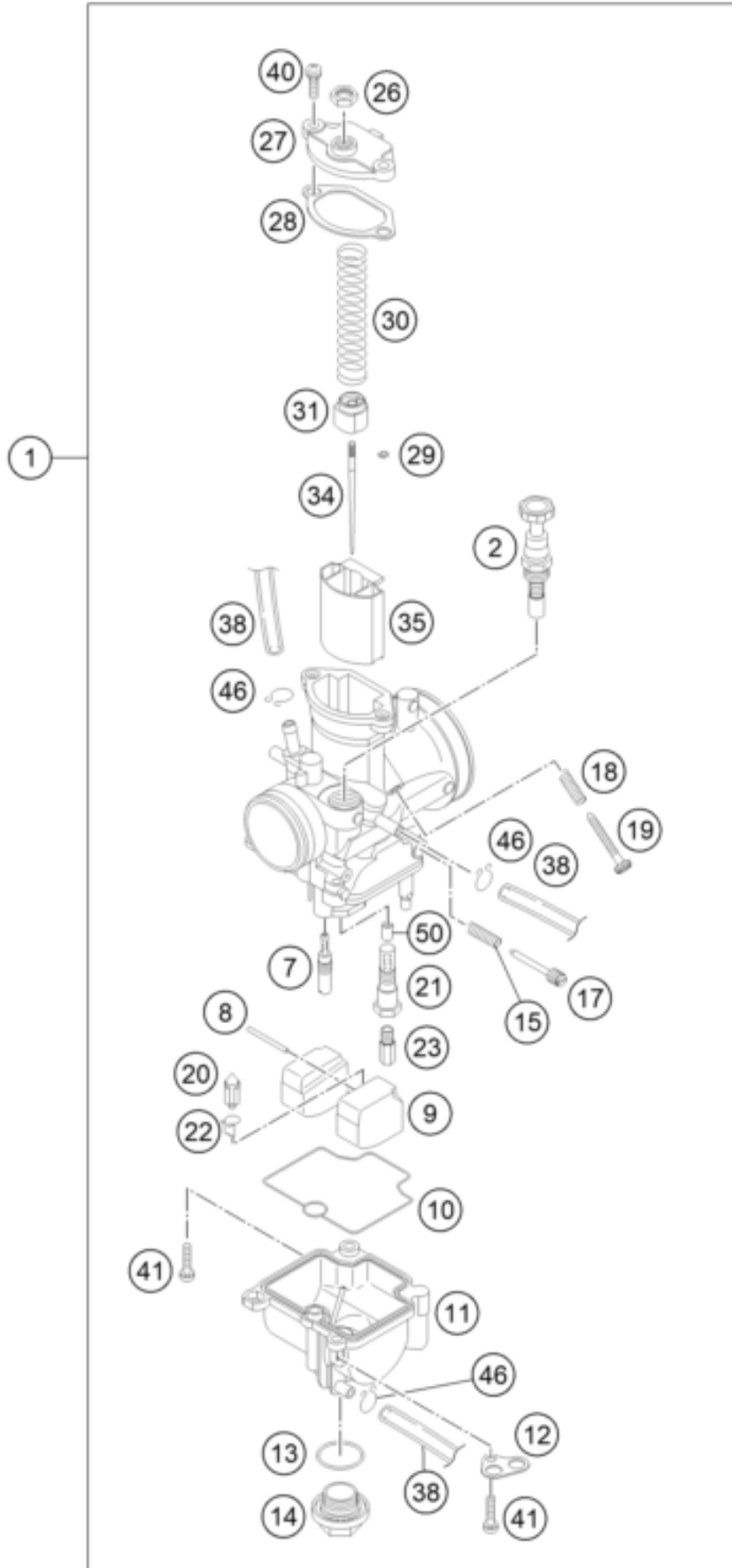


**ACHTUNG !!!**  
 Vor dem Einbau des Vergasers,  
 Bedüsung kontrollieren.

**CAUTION !!!**  
 Before mounting the carburetor,  
 check the jetting.



| Pos | Part Number | Description                    | Additional Text | Quantity |
|-----|-------------|--------------------------------|-----------------|----------|
| 1   | 47231001044 | Carburetor Keihin PWK 28 18    |                 | 1.00     |
| 2   | 54631245000 | STARTER PISTON CPL.            |                 | 1.00     |
| 7   | 54531607040 | IDLE JET 40 KEIHIN             | 450 SMR         | 0.00     |
| 7   | 54531607042 | IDLE JET 42 KEIHIN             | 525 SMR         | 0.00     |
| 7   | 54531607045 | IDLE JET 45 KEIHIN             | 200 MXC/EXC-USA | 0.00     |
| 7   | 54531607048 | IDLE JET 48 KEIHIN             | 125 SX          | 1.00     |
| 7   | 54531607050 | IDLE JET 50 KEIHIN             |                 | 0.00     |
| 7   | 54531607052 | IDLE JET 52 KEIHIN             |                 | 0.00     |
| 8   | 57331008000 | ARM PIN FLOAT                  |                 | 1.00     |
| 9   | 47031009000 | FLOAT CPL. PWK28 03            |                 | 1.00     |
| 10  | 47031010000 | FLOAT CHAMBER GASKET           |                 | 1.00     |
| 11  | 72531011000 | FLOAT CHAMBER COMP. ASSY       |                 | 1.00     |
| 12  | 54531612100 | RETAINING PLATE FOR BLEEDER    |                 | 2.00     |
| 13  | 0770180230  | O-RING 18,00X2,30 NBR 70       |                 | 1.00     |
| 14  | 54531699000 | PLUG M 18X1                    |                 | 1.00     |
| 15  | 54531615000 | SPRING FOR ADJUSTMENT SCREW    |                 | 1.00     |
| 17  | 54531617000 | ADJUSTMENT SCREW               |                 | 1.00     |
| 18  | 54631118000 | SPRING                         |                 | 1.00     |
| 19  | 54631219100 | ADJUSTMENT SCREW M 5           |                 | 1.00     |
| 20  | 47031020000 | FLOAT NEEDLE CPL.              |                 | 1.00     |
| 21  | 72531022000 | NEEDLE JET HOLDER 14           |                 | 1.00     |
| 22  | 54531621000 | CLAMP                          |                 | 1.00     |
| 23  | 54531623138 | Main Jet 138 Keihin            |                 | 0.00     |
| 23  | 54531623140 | MAIN JET GR 140                |                 | 0.00     |
| 23  | 54531623142 | MAIN JET 142 KEIHIN            |                 | 1.00     |
| 23  | 54531623145 | Main jet 145                   |                 | 0.00     |
| 23  | 54531623148 | MAIN JET 148 KEIHIN            | 125 EXC-EU/AUS  | 0.00     |
| 23  | 54531623150 | MAIN JET 150 KEIHIN            |                 | 0.00     |
| 23  | 54531623152 | MAIN JET 152 KEIHIN            |                 | 0.00     |
| 26  | 52031126000 | HEXAGON NUT M 6X0,75 DIN0439   |                 | 1.00     |
| 27  | 47031027000 | CARBURETOR COVER PWK28 03      |                 | 1.00     |
| 28  | 47031028000 | CARBURETOR COVER GASKET PWK28  |                 | 1.00     |
| 29  | 54531629000 | CLIP FOR JET NEEDLE            |                 | 1.00     |
| 30  | 47031030000 | THROTTLE VALVE SPRING          |                 | 1.00     |
| 31  | 47031031000 | SPRING CAP                     |                 | 1.00     |
| 34  | 47231034000 | Jet needle Keihin NRKA         |                 | 0.00     |
| 34  | 47231034100 | Jet needle Keihin NRKB         |                 | 0.00     |
| 34  | 47231034200 | Jet Needle Keihin NRKC         |                 | 1.00     |
| 34  | 47231034300 | Jet needle Keihin NRKD         |                 | 0.00     |
| 34  | 47231034400 | Jet needle Keihin NRKE         |                 | 0.00     |
| 34  | 47231134000 | Jet needle Keihin NRJA         |                 | 0.00     |
| 34  | 47231134100 | Jet needle Keihin NRJB         |                 | 0.00     |
| 34  | 47231134200 | Jet needle Keihin NRJC         |                 | 0.00     |
| 34  | 47231134300 | Jet needle Keihin NRJD         |                 | 0.00     |
| 34  | 47231134400 | Jet needle Keihin NRJE         |                 | 0.00     |
| 35  | 47231035000 | Throttle valve "3.0" Keihin    |                 | 1.00     |
| 38  | 31007007101 | PVC-HOSE 4X6MM                 |                 | 2.20     |
| 40  | 0016040163  | HH COLLAR SCREW M 4X16 WS=6    |                 | 2.00     |
| 41  | 0985040163  | FLAT HEAD SCREW DIN7985-M 4X16 |                 | 2.00     |
| 46  | 54531696000 | Clamp 6mm                      |                 | 5.00     |

|    |             |            |  |      |
|----|-------------|------------|--|------|
| 50 | 47231021000 | Needle Jet |  | 1.00 |
|----|-------------|------------|--|------|