

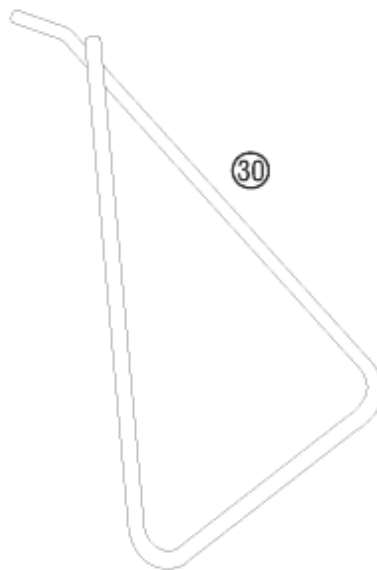
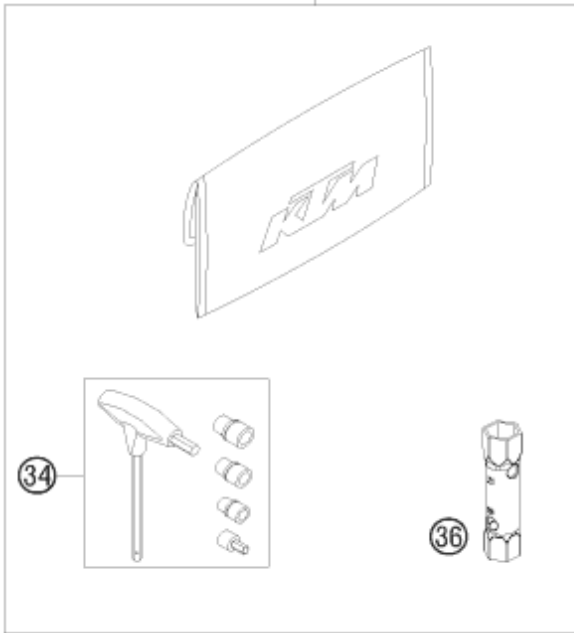
①

OHNE ABBILDUNG  
WITHOUT ILLUSTRATION

①

TECHNISCHE DOKUMENTATION  
TECHNICAL DOCUMENTATION  
DOCUMENTACION TECNICA  
DOCUMENTATION TECHNIQUE  
NOTE TECNICHE

②⑨



Pos	Part Number	Description	Additional Text	Quantity
0	3210039	CUSTOMER WELCOME LETTER		1.00
0	312313	KTM BALLPOINT PEN ORANGE		1.00
0	312305	DOCUMENTS BAG 2006		1.00
0	45131023070	MAIN JET 70 DELLORTO		1.00
1	3CF6003H6EN	SPM CHASSIS 65 SX 2008		1.00
1	3CM080208HEN	SPC ENGINE 65 SX 2008		1.00
1	3211223	OWN.MAN. 65 SX/ XC 2008		1.00
1	322000	SAFETY BROCHURES SPORTMINICYC.		1.00
29*	46129099000	BORDTOOL 65SX 2008		1.00
30*	47003020000	PLUG IN STAND SX 85 2003		1.00
34	60029070200	T-WRENCH WS=6/8/10 TX=45 B&F		1.00
36	45129072000	SPARK PLUG WRENCH		1.00

\* = New part