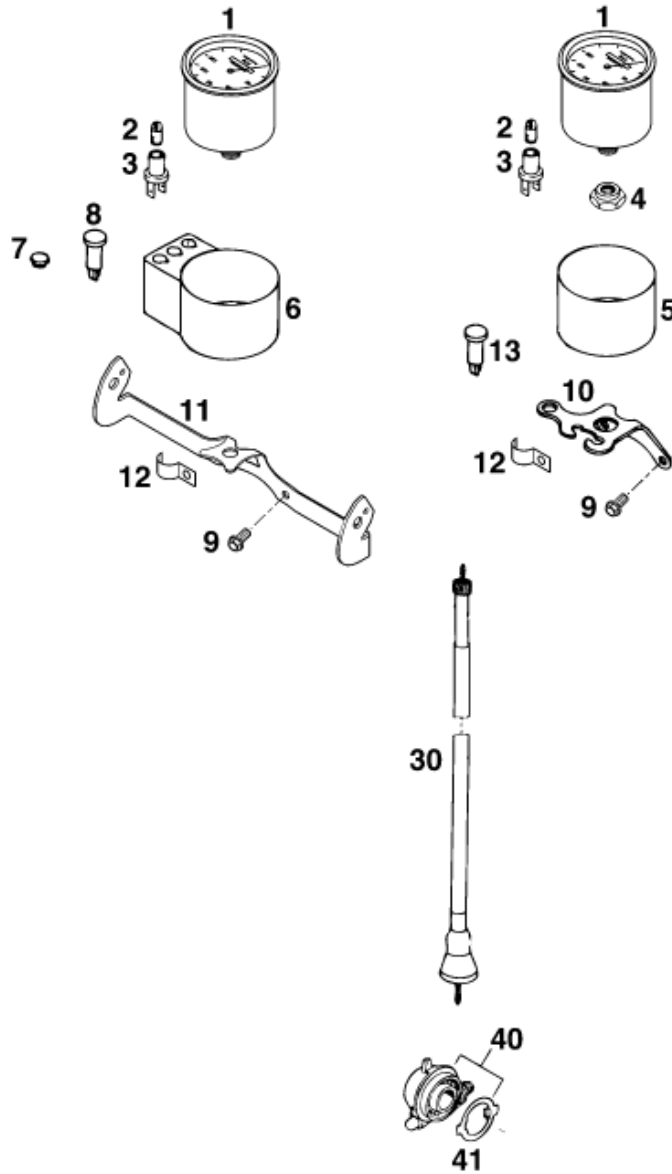
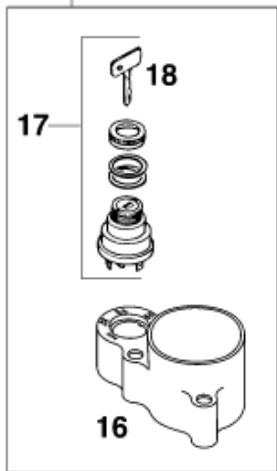


nur für SC Australien
only for SC Australia



| Pos | Part Number | Description | Additional Text | Quantity |
|-----|-------------|--------------------------------|-----------------|----------|
| 1 | 55011080000 | SPEEDOMETER VDO 140 KM/H | | 1.00 |
| 2 | 44111025000 | * BULB 12V 2W BA7S | | 1.00 |
| 3 | 33011069000 | SOCKET BA7S | | 1.00 |
| 4 | 55011080050 | COLLAR NUT M10X1 WS=17 | | 1.00 |
| 5 | 57011068000 | * SPEEDOMETER HOUSING VDO | | 1.00 |
| 6 | 58011068000 | SPEEDOMETER HOUSING VDO | | 1.00 |
| 7 | 36111021000 | PLUG | | 1.00 |
| 8* | 58011021200 | HIGH BEAM INDICATOR LIGHT BLUE | | 1.00 |
| 8* | 58011022200 | TEMPERATURE WARNING LIGHT RED | | 1.00 |
| 8* | 58011024200 | FLASHER INDICATOR LIGHT GREEN | | 1.00 |
| 9 | 0015060123 | HH COLLAR SCREW M 6X12 WS=8 | | 2.00 |
| 10 | 54611120200 | SPEEDOMETER BRACKET VDO/ODO'95 | | 1.00 |
| 11 | 54611120400 | SPEEDOMETER BRACKET VDO '95 | | 1.00 |

| | | | | |
|-----|-------------|--------------------------------|--|------|
| 12 | 50211096000 | CLAMP FOR WIRING HARNESS | | 1.00 |
| 13 | 58011021100 | INDICATOR LIGHT BLUE 12V ROUND | | 1.00 |
| 16* | 50211068000 | SPEEDOMETER CASE VDO '96 | | 1.00 |
| 17* | 44611466000 | IGNITION LOCK 7-P CEV | | 1.00 |
| 18* | 40011166200 | KEY BLANK BLACK "T" GR | | 1.00 |
| 30* | 56511188700 | SPEEDOM.CABLE M10/M12 960MM'96 | | 1.00 |
| 40 | 58111152100 | SPEEDOM.DRIVE 748213 (2,1) '92 | | 1.00 |
| 41 | 58111053100 | DRIVING DOG F.SPEEDOM.DRIVE'92 | | 1.00 |

* = New part