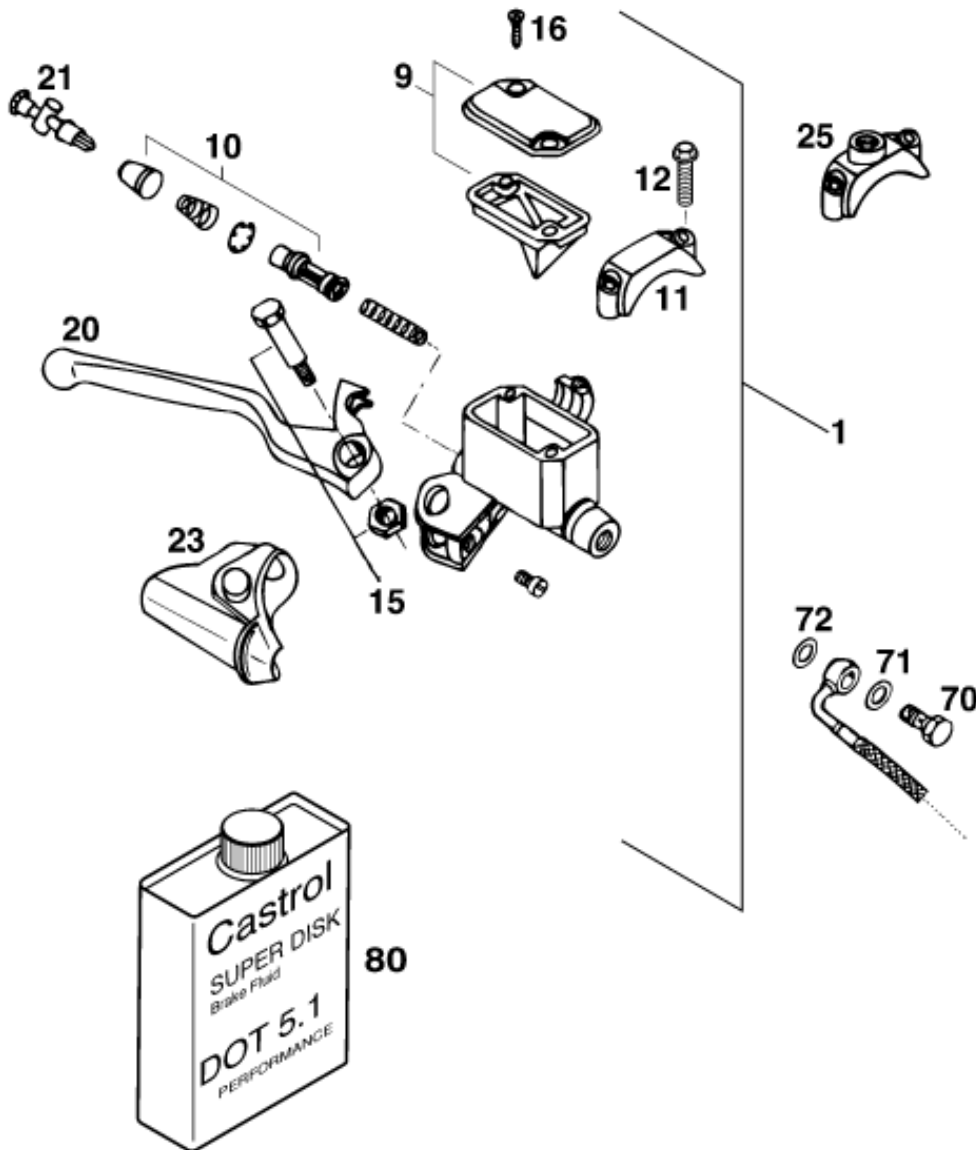


## BREMBO



Pos	Part Number	Description	Additional Text	Quantity
1	50213001044	HANDBRAKE CYLINDER BREMBO '		1.00
9	50213012000	COVER CPL.		1.00
10	50213050000	REPAIR KIT PISTON 11MM		1.00
11	54413011000	CLAMP BREMBO		1.00
12	0015060253	HH COLLAR SCREW M 6X25 WS=8		2.00
15	50213015000	LEVER SCREW CPL.		1.00
16	0965050163	FLAT HEAD SCREW DIN0965-M 5X16		2.00
20	50213020000	HAND BRAKE LEVER LOOSE BREM'94		1.00
21	50213021000	ADJUSTING SCREW CPL.		1.00
23	50213023000	PROTECTION CAP BREMBO'94		1.00
25	58012040150	Clamp for mirror		1.00
70	50213025000	HOLLOW SCREW M10X1X19	FC, FE+FS (USA)	1.00

71	42013026000	CU-SEAL RING DIN7603-10X16X1,5		1.00
72	42013226000	CU-SEAL RING DIN7603-10X16X1		1.00
80*	306054	BRAKE FLUID DOT 4.0	1/4 LITRE	1.00

\* = New part