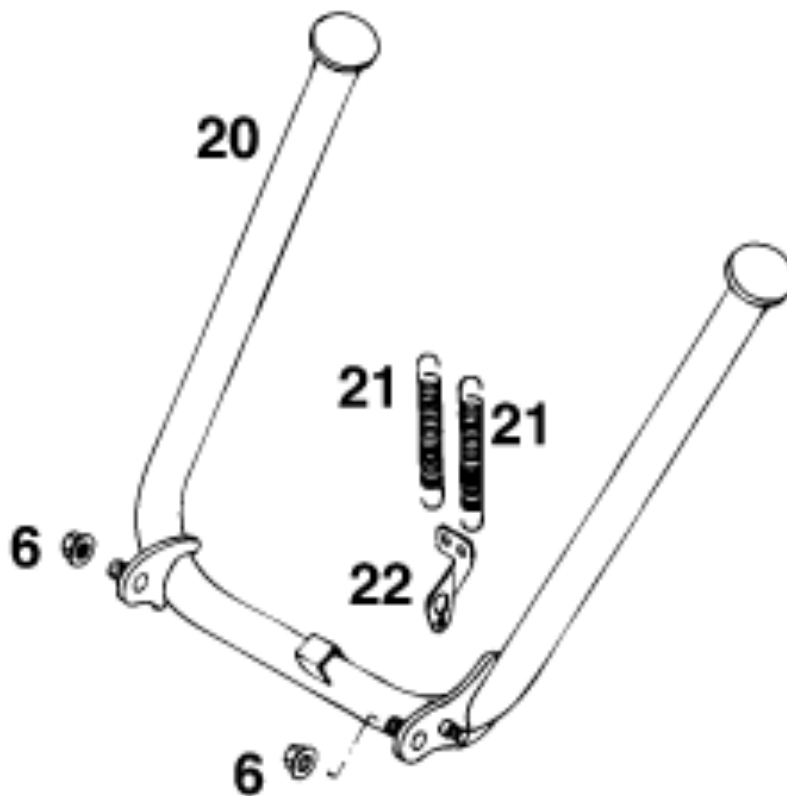
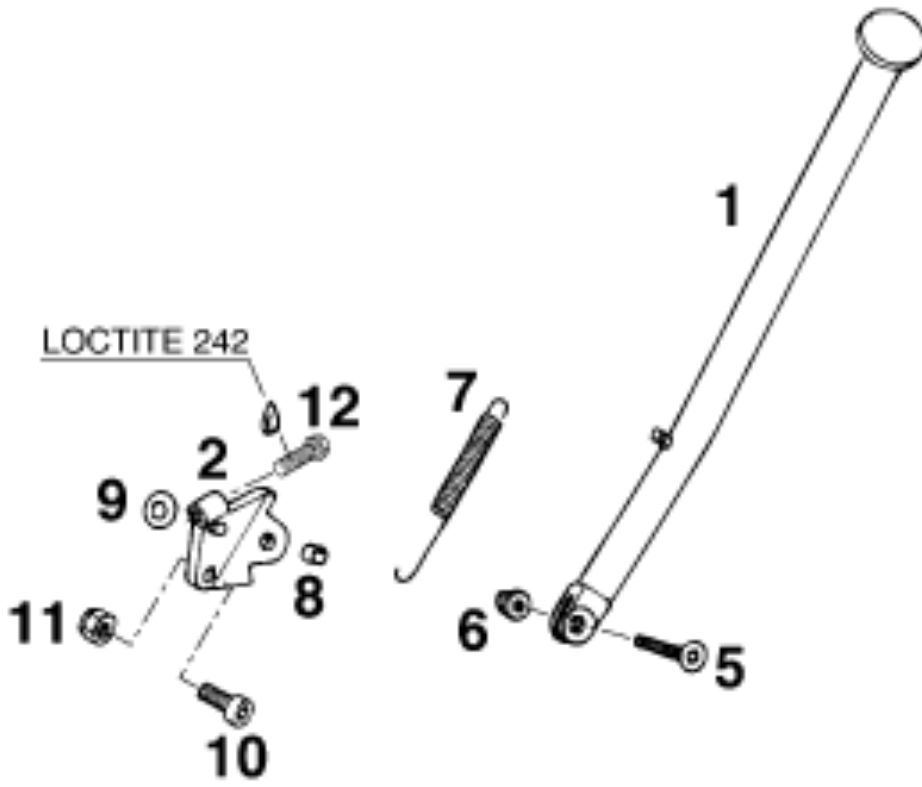




250 EGS M/Ö 12KW <1996><EU><732660>
SIDE / CENTER STAND
46105



Pos	Part Number	Description	Additional Text	Quantity
-----	-------------	-------------	-----------------	----------

1	5460302300019	SIDE STAND '93		1.00
2	5460302600019	* SIDE STAND BRACKET '93		1.00
5	0991080353	FLAT HEAD SCREW DIN7991-M 8X35		1.00
6	54310086000			1.00
7	51003021000	SIDESTAND SPRING LONG		1.00
8	57103225000	BUSHING 8,2 X 12 X 10		1.00
9	54603025000	WASHER 12,5 X 25 X 1,5		1.00
10	0912100223	AH SCREW DIN0912-M10X22		1.00
11	0985100003	SELF LOCKING NUT DIN0985-M10		1.00
12	0015080253	HH COLLAR SCREW M 8X25 WS=10		1.00
20	5460302200019	CENTER STAND '93		1.00
21	10003021000	STAND SPRING SHORT		2.00
22	54603027000	SPRING HANGER '90		1.00