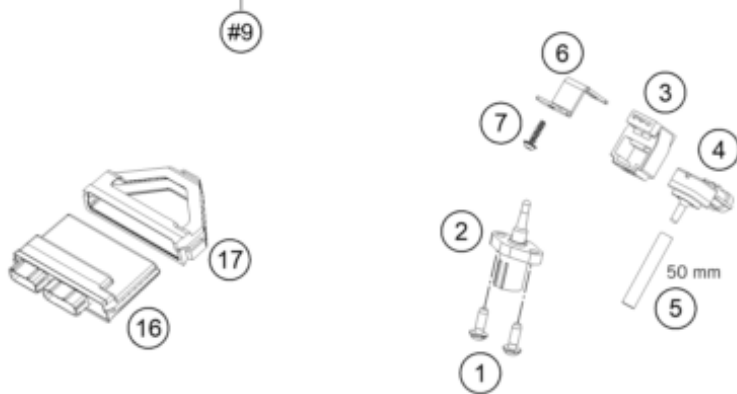


ENTHALTEN IM DICHTSATZ MOTOR KPL.
 INCLUDED IN GASKET-SET ENGINE CPL.



| Pos | Part Number | Description | Additional Text | Quantity |
|-----|-------------|--------------------------------|----------------------|----------|
| 1 | 0081050161 | EJOT PT SCREW K50X16 1451 | | 2.00 |
| 2 | 61041080000 | AMBIENT-AIR TEMPERATURE SENSOR | | 1.00 |
| 3 | 61041085150 | RUBBER SUPP. PRESSURE SENS. 06 | | 1.00 |
| 4 | 61041085100 | PRESSURE SENSOR 06 | | 1.00 |
| 5 | 60031098001 | HOSE 3,2X8,5 PER METER | | 0.00 |
| 6 | 60311040100 | BRACKET PRESSURE SENSOR | | 1.00 |
| 7 | 0081050181 | SCREW FOR PLASTIC K50X18 T20 | 300 TPI Erzbergrodeo | 1.00 |
| 8 | 0025050256S | HH collar screw M5x25 TX30 | | 4.00 |
| 9 | 60306042010 | Bushing intake funnel | | 4.00 |
| 10 | 60341040100 | INTAKE TRUMPET LENGTH 100 | | 2.00 |
| 11 | 60341023044 | FUEL INJECTOR CPL. | | 2.00 |
| 12 | 60341023020 | O-RING | | 2.00 |

| | | | | |
|----|-------------|--------------------------|--|------|
| 13 | 75041023010 | SEAL RING | | 2.00 |
| 14 | 61941013044 | Injector holder compl. | | 1.00 |
| 15 | 75041013060 | SCREW SHOULDER | | 2.00 |
| 16 | 61341031300 | Control unit EFI | | 1.00 |
| 17 | 60341031050 | ECU RUBBER BRACKET | | 1.00 |
| 20 | 60341001000 | THROTTLE BODY | | 1.00 |
| 21 | 75041085030 | SCREW WASHER | | 2.00 |
| 22 | 75041085020 | PLATE, STAY | | 2.00 |
| 23 | 75041085010 | O-RING | | 2.00 |
| 24 | 75041085044 | MAP SENSOR CPL. 07 | | 2.00 |
| 25 | 61011055045 | EDGE PROTECTOR L=45MM 05 | | 2.00 |