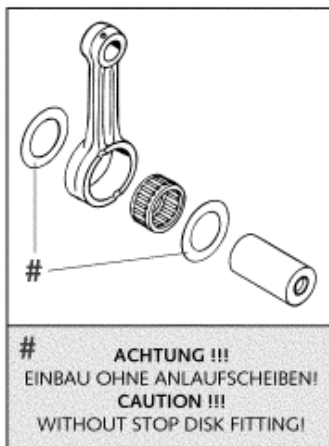
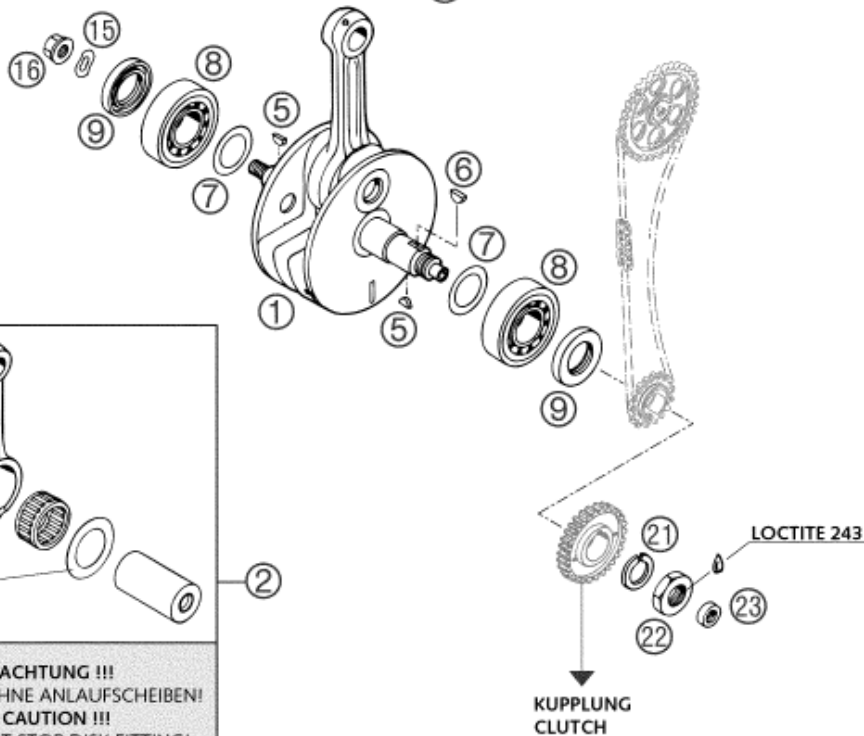


D=101mm



Pos	Part Number	Description	Additional Text	Quantity
1*	58330018200	CRANKSHAFT SC CPL. 02	STROKE 78MM	1.00
2	58330015044	CONNECTING ROD REPAIR SET LC	620/640 CCM L=141,5MM	1.00
5	0888030050	WOODRUFF KEY DIN6888-3X5X13		2.00
6	6946005	WOODRUFF KEY 5X6,5 HARDED		1.00
7	56030081000	THRUST WASHER 30,5X45X0,10		0.00
7	56030081100	THRUST WASHER 30,7X47X0,15		0.00
7	56030081200	THRUST WASHER 30,5X45X0,30		0.00
8	58030082000	CYL.ROLLER BEARING NJ 306 C3		2.00
9	0760304771	SHAFT SEAL RING 30X47X7 BSL		2.00
15	0137120000	SPRING WASHER DIN0137-B12		1.00
16	51030028100	COLLAR NUT M12X1 LEFT WS=17		1.00
21	58030019000	LOCKING RING VSK 20		1.00
22	0936200155	HEXAGON NUT DIN0936-M20X1,5		1.00
23	0760122270	SHAFT SEAL RING 12 X 22 X 7 B		1.00
40	58430007000 I	PISTON I CPL.101MM FORGED 20		1.00

40	58430007000 II	PISTON II 101MM FORGED 20		1.00
41	58330031300	OIL SCRAPER RING 101x2,5		1.00
42	58330932100	TAP.COMPR.PISTON RING 101X1,25		1.00
43*	58430032000	L-RING 101X93,5X1,5 2000		1.00
44	58330833000	PISTON PIN 22 X 13 X 60		1.00
45*	58430074000	CIRCLIP 22 X 1,6		2.00

* = New part