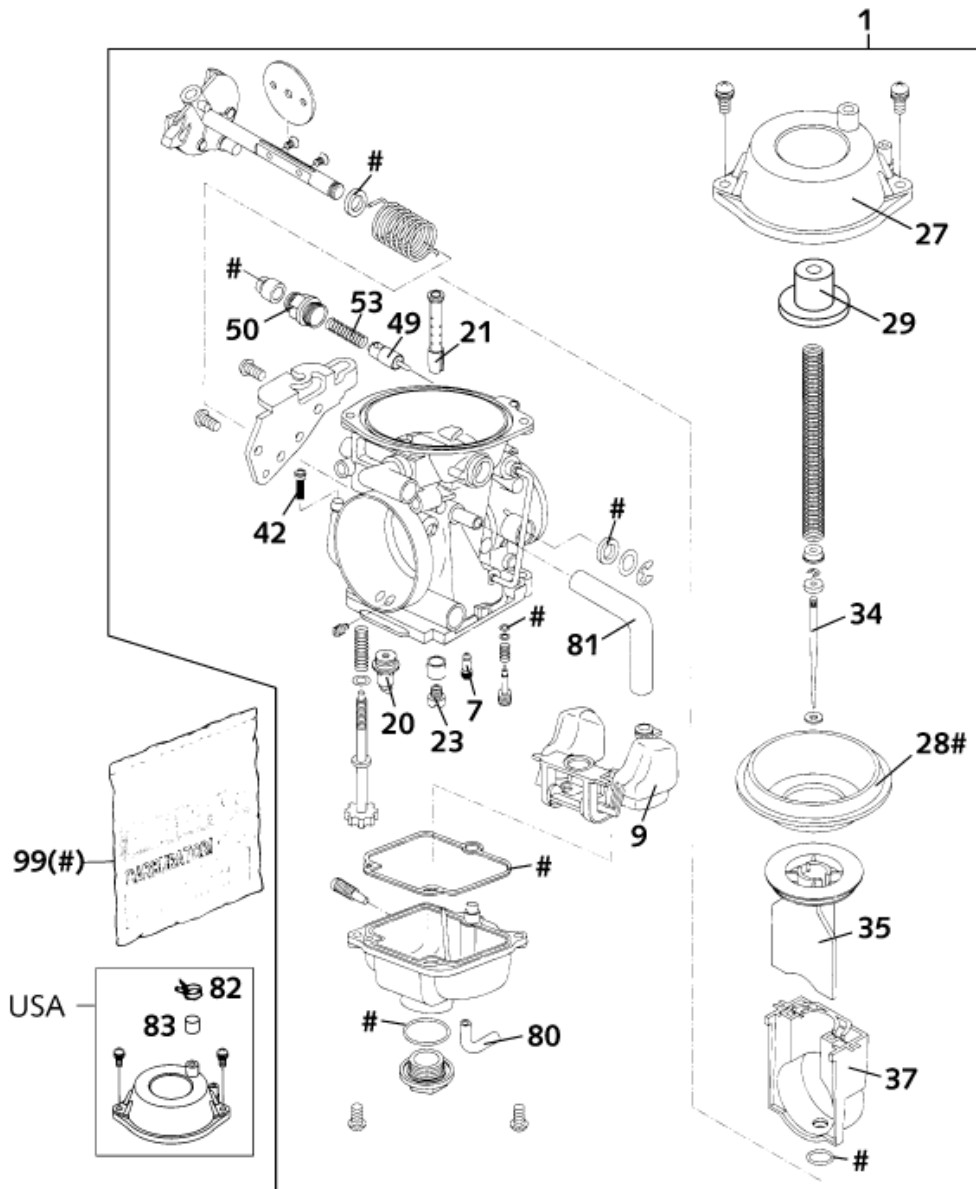


ACHTUNG !!!
 Vor dem Einbau des Vergasers, Bedüsung kontrollieren.
CAUTION !!!
 Before mounting the carburetor, check the jetting.



| Pos | Part Number | Description | Additional Text | Quantity |
|-----|-------------|-------------------------------|-------------------|----------|
| 1 | 58431001400 | CARBURETOR MIKUNI BST40-22598 | | 1.00 |
| 7 | 58431007045 | IDLING JET 45 | | 1.00 |
| 9 | 58431009000 | FLOAT 6,1 GRAMM MIKUNI | | 1.00 |
| 20 | 58431020000 | NEEDLE VALVE 2,8MM | | 1.00 |
| 21 | 58431021689 | NEEDLE JET 689 X-6 | | 1.00 |
| 23 | 58431023140 | MAIN JET 140 | | 0.00 |
| 23 | 58431023142 | MAIN JET 142,5 | | 1.00 |
| 23 | 58431023145 | MAIN JET 145 | | 1.00 |
| 23* | 58431023147 | MAIN JET 147,5 | | 0.00 |
| 23* | 58431023150 | MAIN JET 150 | | 0.00 |
| 23* | 58431023152 | MAIN JET 152,5 | ENDURO, ADVENTURE | 0.00 |

| | | | | |
|-----|-------------|--------------------------------|-------------------|------|
| 23* | 58431023155 | MAIN JET 155 | | 0.00 |
| 23* | 58431023157 | MAIN JET 157,5 | | 0.00 |
| 23* | 58431023160 | MAIN JET 160 | | 0.00 |
| 27 | 58431027000 | DIAPHRAGM COVER MIKUNI | | 1.00 |
| 28 | 58431028000 | DIAPHRAGM FOR THROTTLE VALVE | | 1.00 |
| 29 | 58331029017 | SLIDE STOP L=17MM MIKUNI | | 0.00 |
| 34 | 584310346G5 | JET NEEDLE 6G5 | | 1.00 |
| 35 | 58431035000 | THROTTLE VALVE "1" | | 1.00 |
| 37 | 58431037000 | THROTTLE VALVE GUIDE PLASTIC | | 1.00 |
| 42 | 58431042000 | FUEL SCREEN MIKUNI | | 1.00 |
| 49 | 58431049000 | STARTING PISTON MIKUNI | | 1.00 |
| 50 | 58431050000 | SCREW M12 STARTSYSTEMN | | 1.00 |
| 53 | 58431053000 | SPRING 22,5MM FOR START.PISTON | | 1.00 |
| 80 | 52031137001 | PVC-HOSE 3X5MM | | 0.00 |
| 81 | 54435024001 | HOSE ID 7,5 PER METER | FOR 12 LITER TANK | 0.00 |
| 82 | 58031005000 | CLAMP YDNAC 10128 12MM | FOR 12 LITER TANK | 1.00 |
| 83 | 57931001010 | PLUG CAP FOR EPC CONNECTION | | 1.00 |
| 99 | 58431099000 | GASKET SET MIKUNI BST40-225 | | 1.00 |

* = New part