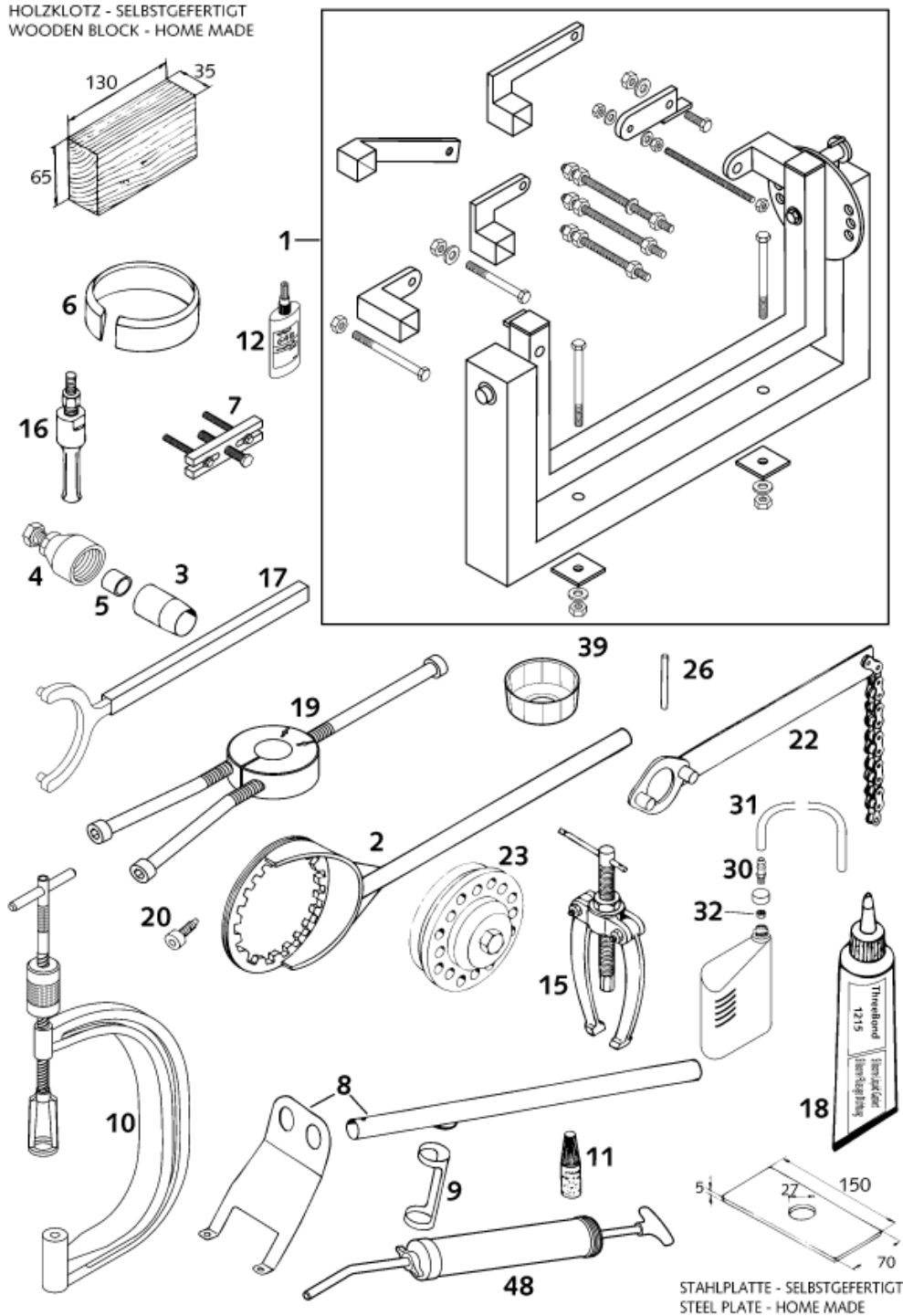


HOLZKLOTZ - SELBSTGEFERTIGT  
 WOODEN BLOCK - HOME MADE



STAHLPLATTE - SELBSTGEFERTIGT  
 STEEL PLATE - HOME MADE

| Pos | Part Number | Description                    | Additional Text                  | Quantity |
|-----|-------------|--------------------------------|----------------------------------|----------|
| 1   | 56012001000 | ASSY SUPPORT (WITHOUT HOLDER)  |                                  | 1.00     |
| 2   | 58329003000 | CLUTCH HOLDER D=160MM LC4'94   |                                  | 1.00     |
| 3   | 58012005025 | MOUNTING SLEEVE D=25MM         | FOR CRANKSHAFT SEAL<br>L/S       | 1.00     |
| 4   | 58429009000 | MAGNETO EXTRACTOR              |                                  | 1.00     |
| 5   | 58429031000 | PROTECTOR CAP F.CRANKSHAFT M16 |                                  | 1.00     |
| 6   | 58012015101 | PISTON RING COMPRESSOR D=101MM | 620/640 LC4                      | 1.00     |
| 7*  | 59029021000 | EXTRACT.PRIM.GEAR-INNER CLUT   | F.PRIM.GEAR D.INNER<br>CLUTCHHUB | 1.00     |
| 8   | 58012019000 | VALVE INSTALLATION KIT         |                                  | 1.00     |
| 9   | 6276470     | PUSH INSERT                    |                                  | 1.00     |

|     |             |                                |                         |      |
|-----|-------------|--------------------------------|-------------------------|------|
| 10* | 59029019000 | VALVE SPRING LEVER             |                         | 1.00 |
| 11  | 6899785     | LOCTITE 243 BLUE 5 ML          |                         | 0.00 |
| 12  | 58429059000 | LOCTITE 648 GREEN 10ML         |                         | 0.00 |
| 15  | 15112017000 | BUSHING EXTRACTOR              |                         | 1.00 |
| 16  | 15112018000 | INTERN.BEAR.PULLER 12-16 MM    |                         | 1.00 |
| 16  | 15112018100 | INTERN.BEAR.PULLER 18-23 MM    |                         | 1.00 |
| 17  | 58429012000 | HOLDING WRENCH FOR WHEEL       |                         | 1.00 |
| 18  | 309098      | SILICON GASKET THREE-BOND      |                         | 1.00 |
| 19* | 58429037040 | MOUNTING TOOL F.BEARING NJ 306 |                         | 1.00 |
| 19* | 58429037043 | MOUNTING TOOL F.BEARING NJ 207 |                         | 1.00 |
| 20  | 58030080000 | LOCATING SCREW M8 L=23         | 450/525 MXC, EXC        | 1.00 |
| 22  | 51012012000 | HOLDING SPANNER FOR SPROCKET   |                         | 1.00 |
| 23  | 54629027000 | RIVETTING TOOL FOR CLUTCH      |                         | 1.00 |
| 26  | 58029026007 | LIMIT PLUG GAUGE F.VALVE GUIDE | D=7,05MM                | 1.00 |
| 30  | 59030022000 | BLEEDER FLANGE M8 WS=10 '99    |                         | 1.00 |
| 31  | 31007107001 | PVC-HOSE 6X9 MM PER METER      | BREATHING HOSE          | 0.00 |
| 32  | 0934080003  | Hexagon nut DIN934 M8          |                         | 1.00 |
| 39  | 58329039000 | WRENCH SCREW FILTER            |                         | 1.00 |
| 48  | 58429048000 | INJEKTION FOR FRONT PIPE '99   | DEAERATE FOR FRONT PIPE | 1.00 |

\* = New part