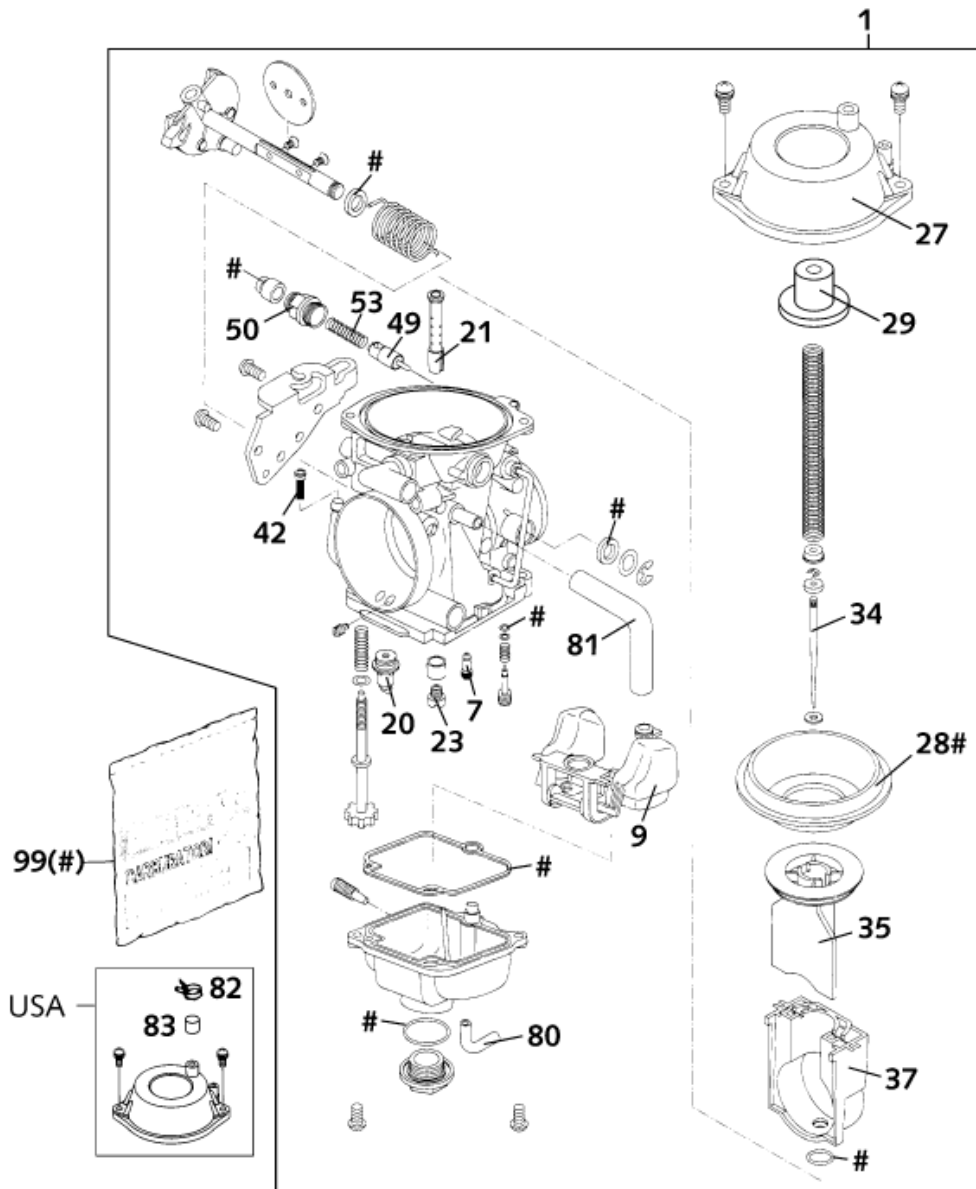


**ACHTUNG !!!**  
 Vor dem Einbau des Vergasers, Bedüsung kontrollieren.  
**CAUTION !!!**  
 Before mounting the carburetor, check the jetting.



| Pos | Part Number | Description                   | Additional Text | Quantity |
|-----|-------------|-------------------------------|-----------------|----------|
| 1   | 58431001400 | CARBURETOR MIKUNI BST40-22598 |                 | 1.00     |
| 7   | 58431007045 | IDLING JET 45                 |                 | 1.00     |
| 9   | 58431009000 | FLOAT 6,1 GRAMM MIKUNI        |                 | 1.00     |
| 20  | 58431020000 | NEEDLE VALVE 2,8MM            |                 | 1.00     |
| 21  | 58431021689 | NEEDLE JET 689 X-6            |                 | 1.00     |
| 23  | 58431023140 | MAIN JET 140                  |                 | 0.00     |
| 23  | 58431023142 | MAIN JET 142,5                |                 | 1.00     |
| 23  | 58431023145 | MAIN JET 145                  |                 | 0.00     |
| 27  | 58431027000 | DIAPHRAGM COVER MIKUNI        |                 | 1.00     |
| 28  | 58431028000 | DIAPHRAGM FOR THROTTLE VALVE  |                 | 1.00     |
| 29  | 58331029017 | SLIDE STOP L=17MM MIKUNI      |                 | 0.00     |

|    |             |                                |                   |      |
|----|-------------|--------------------------------|-------------------|------|
| 34 | 584310346G5 | JET NEEDLE 6G5                 |                   | 1.00 |
| 35 | 58431035000 | THROTTLE VALVE "1"             |                   | 1.00 |
| 37 | 58431037000 | THROTTLE VALVE GUIDE PLASTIC   |                   | 1.00 |
| 42 | 58431042000 | FUEL SCREEN MIKUNI             |                   | 1.00 |
| 49 | 58431049000 | STARTING PISTON MIKUNI         |                   | 1.00 |
| 50 | 58431050000 | SCREW M12 STARTSYSTEMN         |                   | 1.00 |
| 53 | 58431053000 | SPRING 22,5MM FOR START.PISTON |                   | 1.00 |
| 80 | 52031137001 | PVC-HOSE 3X5MM                 |                   | 0.00 |
| 81 | 54435024001 | HOSE ID 7,5 PER METER          | FOR 12 LITER TANK | 0.00 |
| 82 | 58031005000 | CLAMP YDNAC 10128 12MM         | FOR 12 LITER TANK | 1.00 |
| 83 | 57931001010 | PLUG CAP FOR EPC CONNECTION    |                   | 1.00 |
| 99 | 58431099000 | GASKET SET MIKUNI BST40-225    |                   | 1.00 |