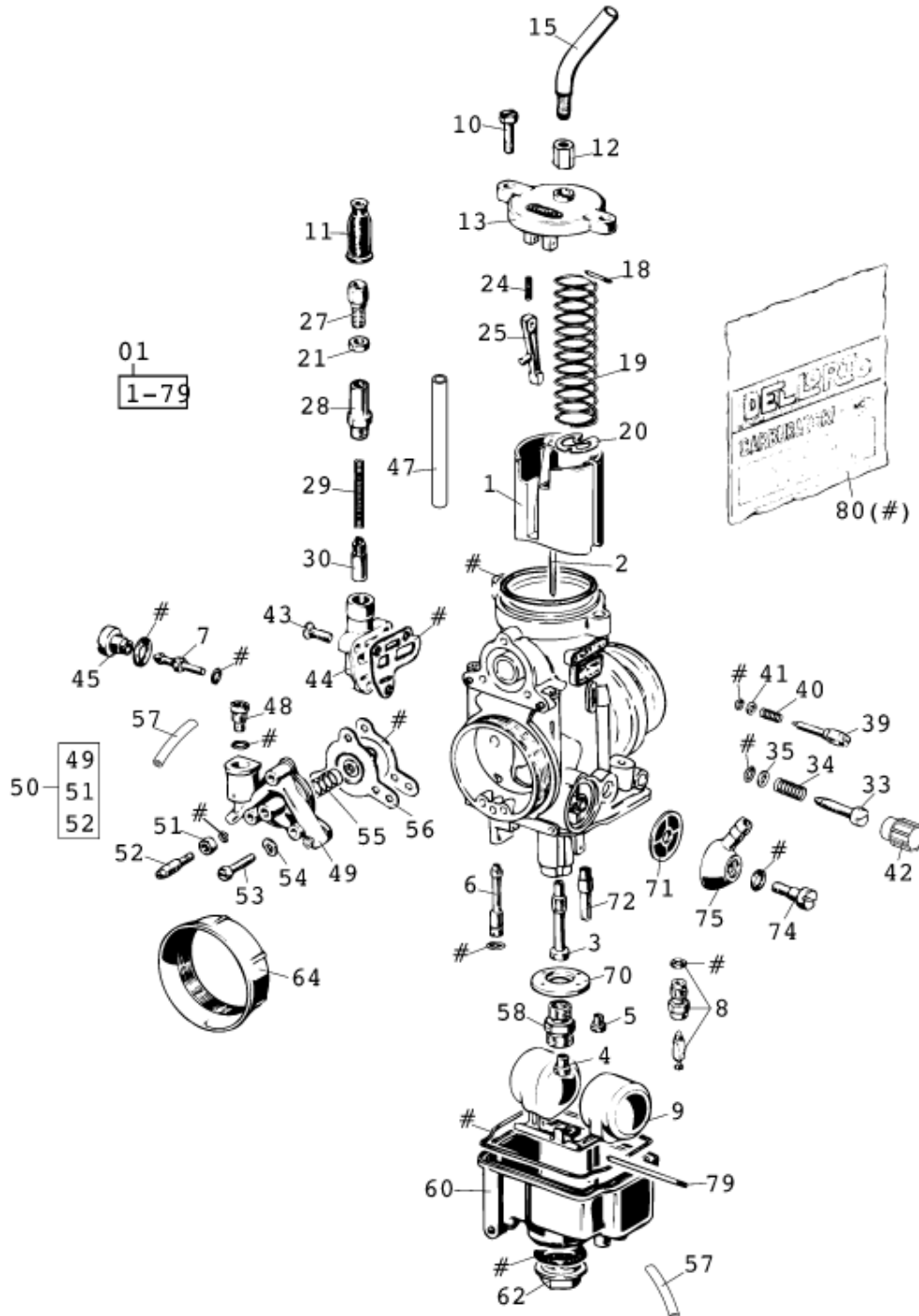




ACHTUNG !!!
 Vor dem Einbau des Vergasers, Bedüsung kontr
CAUTION !!!
 Before mounting the carburetor, check the



Pos	Part Number	Description	Additional Text	Quantity
1	57231135000	THROTTLE VALVE 50/1 DM=42MM		1.00
1	57631001044	CARBURETOR PHM 38 ND (100197)		1.00
2	49031134023	JET NEEDLE K23		1.00
3	57731021264	NEEDLE JET AR 264		1.00
4	57031523130	MAIN JET 130		1.00
4	57031523135	MAIN JET 135		0.00
4	57031523140	MAIN JET 140		0.00

4	57031523145	MAIN JET 145		0.00
4	57031523150	MAIN JET 150		0.00
5	15131123038	JET 38		0.00
5	15131123045	JET 45		0.00
5	15131123050	JET 50		1.00
5	15131123055	JET 55		0.00
6	57031551045	STARTING JET 45		1.00
6	57031551050	STARTING JET 50		0.00
6	57031551055	STARTING JET 55		0.00
7	57031566033	ACCELERATING JET 33		1.00
8	57231120300	NEEDLE VALVE 300		1.00
9	57031509000	% FLOAT 8,5 GRAMME		1.00
9	58331509000	FLOAT		0.00
10	57031524000	HEXAGON NUT M 5X16		2.00
11	52031138000	RUBBER SLEEVE		1.00
12	58031528000	SUPPORT BUSHING M6x0,75 WS=10		1.00
13	57231127000	CARBURETOR COVER		1.00
15	58431024000	TUBE F.CARBURETOR 400LC4-E '97		1.00
18	57031571000	* STUD 2,5X16		1.00
19	57031530000	SLIDING SPRING		1.00
20	57031532000	RETAINING PLATE		1.00
21	52031126000	HEXAGON NUT M 6X0,75 DIN0439		1.00
24	57031570000	SPRING		1.00
25	57031569000	PUMP LEVER		1.00
27	57031525000	ADJUSTMENT SCREW M6X0,75		1.00
28	57231155000	PLUG		1.00
29	57231153000	SPRING		1.00
30	57031549000	STARTING DEVICE		1.00
33	57031519000	ADJUSTMENT SCREW M5		1.00
34	52031116000	SPRING		1.00
35	57031573000	WASHER 5,1 X 8 X 0,8		1.00
39	57031517000	MIXTURE REGULAT.SCREW M7X0,75		1.00
40	57031515000	SPRING AIR ADJUST.SCREW		1.00
41	57031572000	WASHER 3,3 X 5,8 X 0,5		1.00
42	57031519100	KNURLED CAP PLASTIC		1.00
43	0964040143	OVAL HEAD SCREW DIN0964-M 4x14		3.00
44	57231150100	START.DEVICE BODY 4S		1.00
45	57031567000	JET HOLDER		1.00
47	58331029051	SLIDE STOP L=51MM		0.00
48	57031565000	BLEEDER VALVE		1.00
50	57231160044	* PUMP HOUSING CPL.		1.00
53	0084040203	CYL.SCREW DIN0084-M 4X20 A		3.00
54	0137040003	* SPRING WASHER DIN0137-B 4		3.00
55	57031559000	* SPRING		1.00
56	57031557000	DIAPHRAGM		1.00
57	52031137001	PVC-HOSE 3X5MM		0.00
58	57031522000	MAIN JET HOLDER		1.00
60	57031511100	FLOAT CHAMBER WITH RUN OVER T.		1.00
62	57031514000	PLUG M12X1		1.00
64	57731040000	INTAKE TRUMPET FOR PHM 38 ND		1.00
70	50131174000	COVER		1.00

71	15131112000	FUEL FILTER		1.00
72	57031556000	REBOUND VALVE		1.00
74	0933060163	HH SCREW DIN0933-M 6X16		1.00
75	57031513000	HOSE CONNECTOR		1.00
79	57031508000	STUD 2 X 47		1.00
80	57731099000	GASKET SET PHM 38 ND		1.00