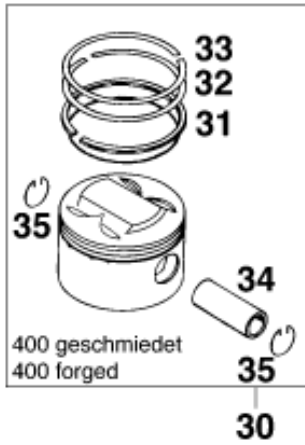
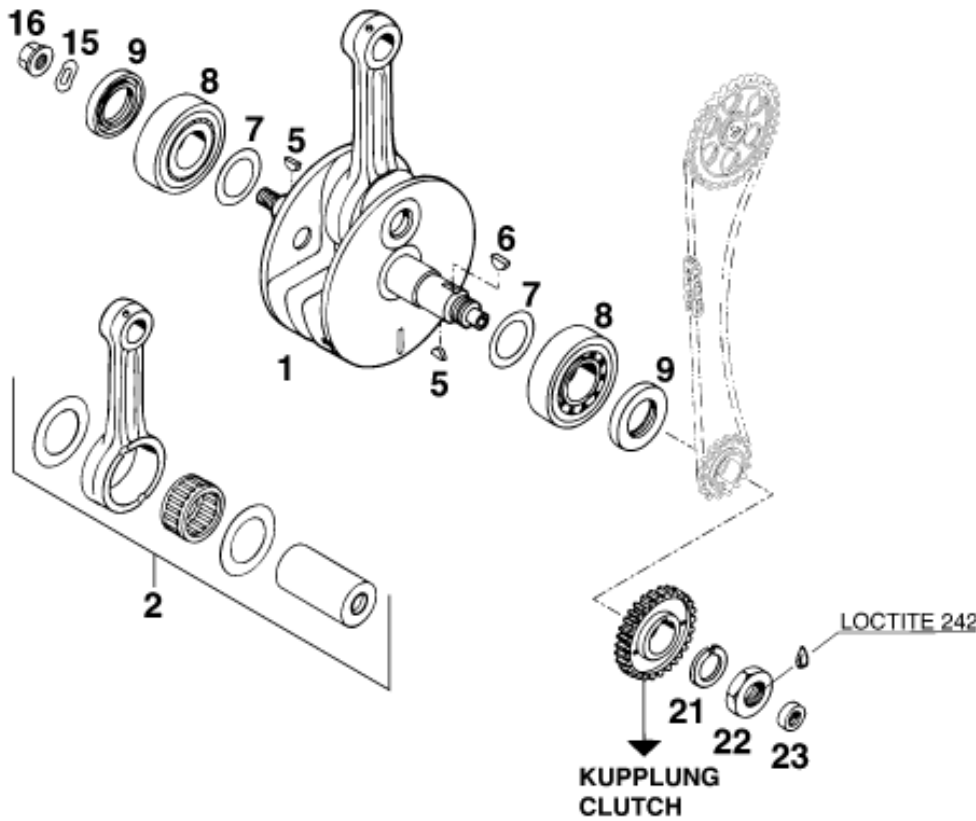
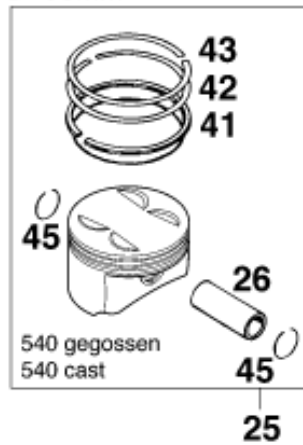


D=89mm



D=95mm



Pos	Part Number	Description	Additional Text	Quantity
1	57630018000	CRANKSHAFT CPL. 400 LC4 '97		1.00
1	58330018000	CRANKSHAFT CPL. 540/620 LC4'		1.00
2	58030015044	CONNECTING ROD REPAIR SET LC4	350/400/500/612 CCM L=140MM	1.00
2	58330015044	CONNECTING ROD REPAIR SET LC	620/640 CCM L=141,5MM	1.00
5	0888030050	WOODRUFF KEY DIN6888-3X5X13		2.00
6	6946005	WOODRUFF KEY 5X6,5 HARDED		1.00
7	56030081000	THRUST WASHER 30,5X45X0,10		0.00
7	56030081100	THRUST WASHER 30,7X47X0,15		0.00
7	56030081200	THRUST WASHER 30,5X45X0,30		0.00
8	58030082000	CYL.ROLLER BEARING NJ 306 C3		2.00
9	0760304771	SHAFT SEAL RING 30X47X7 BSL		2.00

15	0137120000	SPRING WASHER DIN0137-B12		1.00
16	51030028100	COLLAR NUT M12X1 LEFT WS=17		1.00
21	58030019000	LOCKING RING VSK 20		1.00
22	0936200155	HEXAGON NUT DIN0936-M20X1,5		1.00
23	0760122270	SHAFT SEAL RING 12 X 22 X 7 B		1.00
25	57630007100 I	PISTON I 95MM CPL. CAST '96		1.00
25	57630007100 II	PISTON II 95MM CPL. CAST '96		1.00
26	57630033100	PISTON BOLT 22 X 13 X 56,3		1.00
30	57530007000 I	PISTON I 89 MM CPL. FORGED		1.00
30	57530007000 II	PISTON II 89MM CPL. FORGED		1.00
31	57530031000	OIL SCRAPER RING 89MM		1.00
32	57530132000	TAPERED COMPR.PISTON RING 89MM		1.00
33	57530032000	RECTANGULAR RING 89MM		1.00
34	58030033000	PISTON PIN 22 X 13 X 54,2		1.00
35	58030074000	CIRCLIP A 22 X 1,5		2.00
41	58030631000	OIL SCRAPER RING 95MM	525 SX	1.00
42	58030732000	TAPERED COMPR.PISTON RING 95MM		1.00
43	58030632000	RECTANGULAR RING 95MM		1.00
45	58030074100	CIRCLIP C 22 X 1,5		2.00