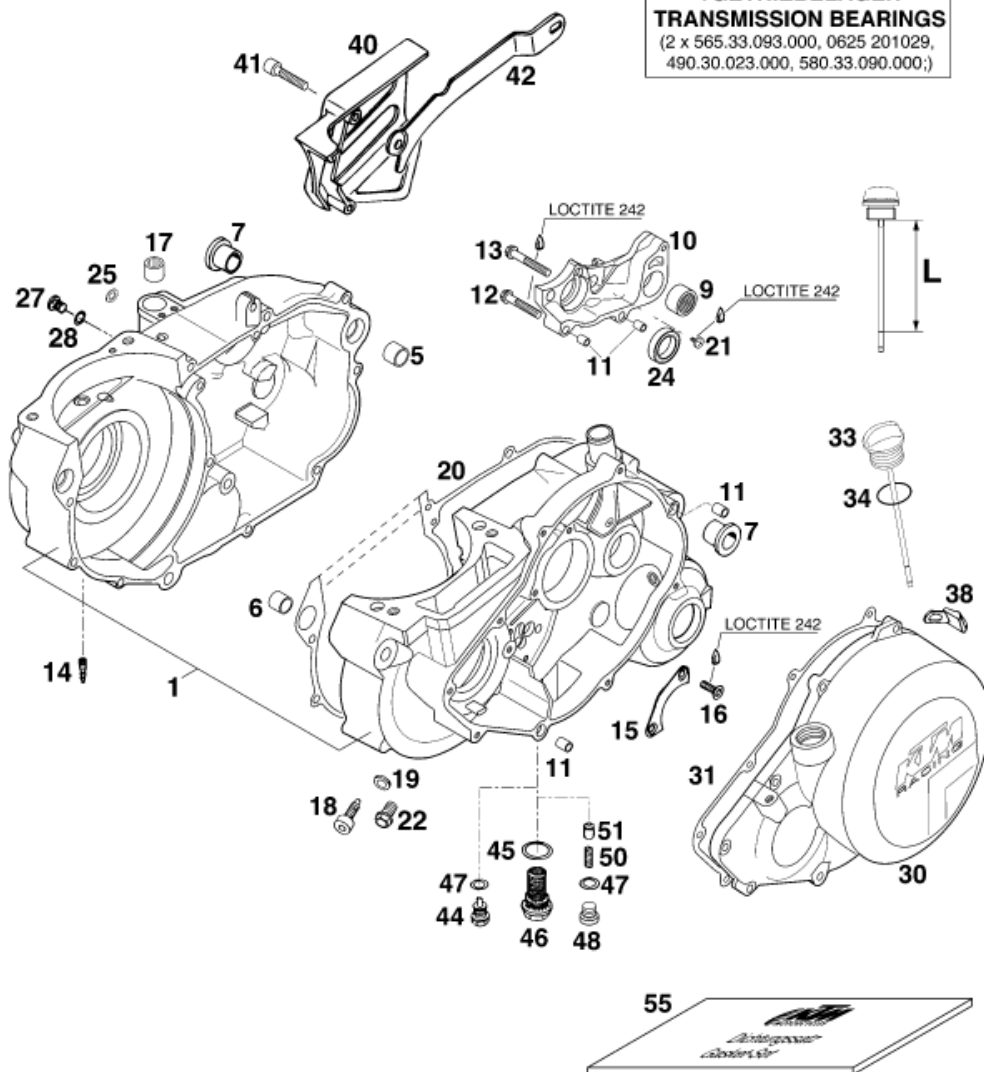


01 1,5,6,7,9,10,11,15,16,  
17,21,24,47,48,50,51  
+GETRIEBELAGER  
**TRANSMISSION BEARINGS**  
(2 x 565.33.093.000, 0625 201029,  
490.30.023.000, 580.33.090.000;)



Pos	Part Number	Description	Additional Text	Quantity
1	58330000544	ENGINE CASE CPL.W.TRAN.BEAR'98		1.00
5	50130027000	DOWEL 19 X15,1X12		1.00
6	51030026100	DOWEL 17 X 13 X 12		1.00
7	50130010000	CRANK CASE BUSH		2.00
9	58033097000	NEEDLE BEARING HK 2216		1.00
10	58330011000	SHIFT MECHANISM SUPPORT LC4'94		1.00
11	49030090000	DOWEL 9,8 X 7 X 10	FS-E	4.00
12	0015060353	HH COLLAR SCREW M 6X35 WS=8	LC4 ADVENTURE	1.00
13	0015060403	HH COLLAR SCREW M 6X40 WS=8	450 SMR	1.00
14	49130450050	TUBE LW 3		1.00
15	56530017000	RETAINING PLATE		1.00
16	0991060163	FLAT HEAD SCR. DIN7991-M 6X16		2.00
17	50332095000	NEEDLE BEARING HK 1212		2.00
18	58030080000	LOCATING SCREW M8 L=23	450/525 MXC, EXC	1.00
19	58038032000	CU-SEAL RING DIN7603- 8X12X1		1.00
20	58330039100	ENGINE CASE GASKET SX,SXC '98		1.00
21	0985050103	OVAL HEAD SCR. DIN7985-M 5X10		1.00

22	0015080103	HH COLLAR SCREW M 8X10 WS=10		0.00
24	0625618050	BALL BEARING 61805 C3		1.00
25	0603061001	CU-SEAL RING DIN7603-6X10X1		1.00
27	49030029000	OIL DRAIN PLUG M10X1,5 AH-WS=6	ONLY FOR ADVENTURE USA	1.00
28	58038032010	CU-SEAL RING DIN7603-10X14X1		1.00
30	58330001400	CLUTCH COVER SX'97		1.00
31	58330025400	CLUTCH COVER GASKET SX'97		1.00
33	58330020144	OIL DIPSTICK CPL. L=93MM '96		1.00
34	0770160030	O-RING 16,00X3,00 NBR 70		1.00
38	58333041000	BUMP RUBBER		1.00
40*	58030050700	CHAIN COVER BLACK '99		1.00
41	0912060303	AH SCREW DIN0912-M 6X30		2.00
42	58030047515	CHAIN DAMPER SHEET LC4 '90	13-14-15-16 TEETH SC	1.00
44	58030021000	OILDRAIN PLUG W.MAG. M 12X1,5		1.00
45	58038017100	CU-SEAL RING DIN7603-22X27X2		1.00
46	58038019100	OIL DRAIN PLUG M22X1,5		1.00
47	58038022000	CU-seal ring DIN7603-12X18X1.5		2.00
48	0908120153	threaded plug DIN 908 M12x1.5	DUKE	1.00
50	58038023300	PRESSURE SPRING L=25MM D=1MM		1.00
51	58038028000	VALVE PISTON D=10MM		1.00
55	58330099300	GASKET SET 400-620 SX,SXC '98		1.00
60	0015060653	HH COLLAR SCREW M 6X65 WS=8		1.00
61	0015060553	HH COLLAR SCREW M 6X55 WS=8		4.00
62	0015060303	HH COLLAR SCREW M 6X30 SW=8	LC4, LC4 SM, DUKE	8.00
63	0015060253	HH COLLAR SCREW M 6X25 WS=8		6.00

\* = New part