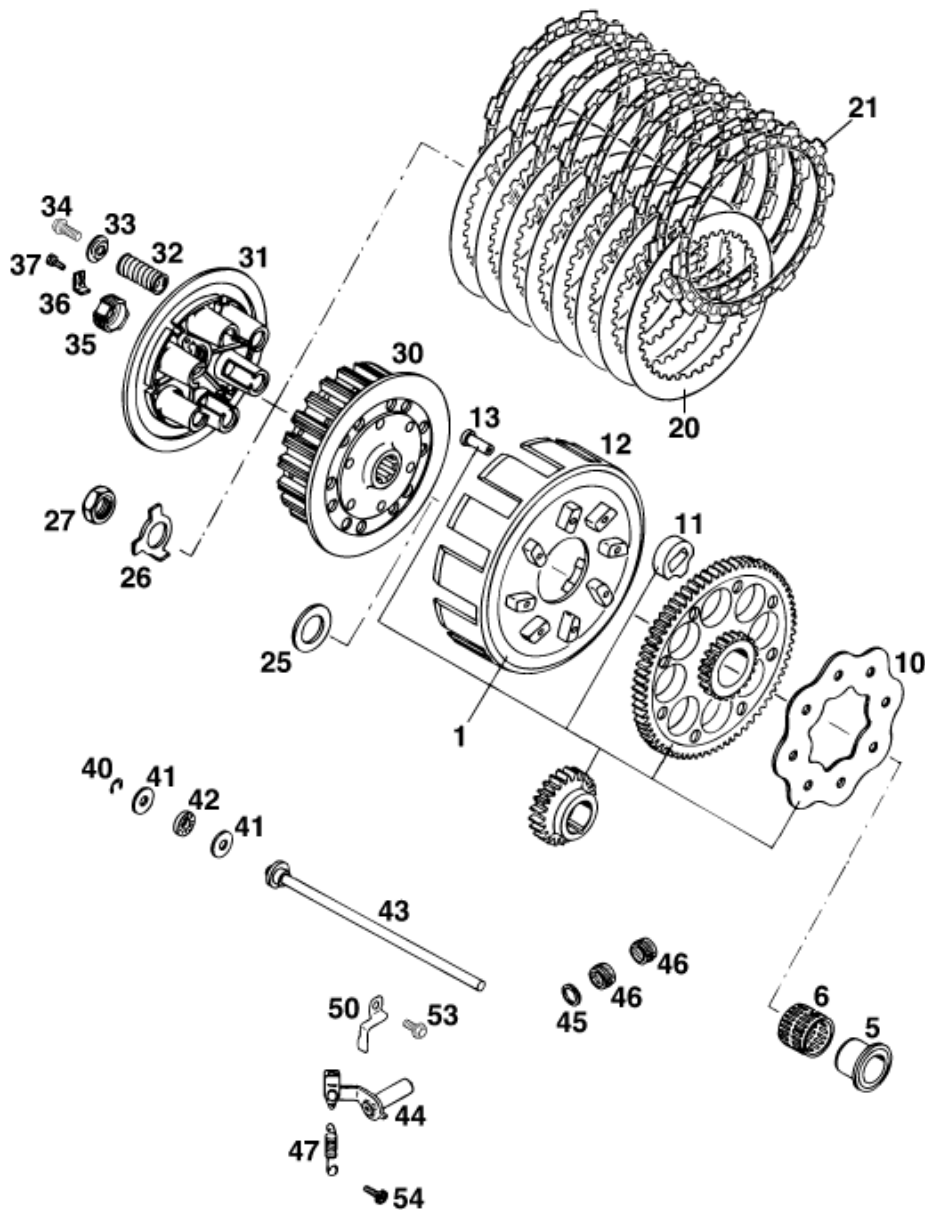


ZUSAMMENBAU KUPPLUNG 250/300 '95



| Pos | Part Number | Description | Additional Text | Quantity |
|-----|-------------|--------------------------------|-----------------|----------|
| 1 | 54632001272 | OUTER CLUTCH HUB 72T PRIM. 25T | 250/300 | 1.00 |
| 5 | 50332070000 | INNER RING WITH COLLAR | | 1.00 |
| 6 | 56532095000 | NEEDLE BEARING K26X30X22ZW.KSE | | 1.00 |
| 10 | 58132028000 | RETAINING PLATE | | 1.00 |
| 11 | 58132026000 | DAMPING ELEMENT | | 8.00 |
| 12 | 54632001200 | OUTER CLUTCH HUB LOOSE | | 1.00 |
| 13 | 0733060150 | CLUTCH RIVET DIN7338- 6X15 | | 8.00 |
| 20 | 54632012000 | STEEL DISK 1,2 MM | | 8.00 |
| 21 | 54632011200 | LINING DISK 2,7 MM | | 9.00 |
| 25 | 54632013000 | | | 1.00 |
| 26 | 56532018000 | LOCK WASHER | | 1.00 |
| 27 | 0936181505 | HEXAGON NUT DIN0936-M18X1,5 R. | | 1.00 |

| | | | | |
|----|-------------|--------------------------------|-----|------|
| 30 | 54632002200 | INNER CLUTCH HUB | | 1.00 |
| 31 | 58132003000 | * PRESSURE CAP | | 1.00 |
| 32 | 54632080000 | CLUTCH SPRING 2,5X43 8,5W | | 6.00 |
| 33 | 58132081000 | SPRING RETAINER 6,2 X 20 X 3,2 | 400 | 6.00 |
| 34 | 0912060163 | AH SCREW DIN0912-M 6X16 | | 6.00 |
| 35 | 54632004000 | ADJUSTMENT SCREW M24X1 | | 1.00 |
| 36 | 54632005000 | * ADJUSTMENT PLATE | | 1.00 |
| 37 | 0084040083 | CYL.HEAD SCREW DIN0084-M 4X8 A | | 1.00 |
| 40 | 0799050000 | TAB WASHER DIN6799 RS5 | | 1.00 |
| 41 | 49032010050 | * AXIAL WASHER AS619 | | 2.00 |
| 42 | 49032010000 | AXIAL-BEARING AXK0619 | | 1.00 |
| 43 | 54632017244 | * PUSH ROD 219 MM CPL | | 1.00 |
| 44 | 54632014544 | CLUTCH RELEASE SHAFT '93 | | 1.00 |
| 45 | 54632090000 | SEAL RING DH/GR 12X16X3 | | 1.00 |
| 46 | 50232095000 | NEEDLE BEARING HK 1210 | | 2.00 |
| 47 | 54632050500 | RELEASE LEVER SPRING L=33MM93 | | 1.00 |
| 50 | 54632016500 | * RELEASE RETAINING PLATE '93 | | 1.00 |
| 53 | 0912050123 | AH SCREW DIN0912-M 5X12 | | 1.00 |
| 54 | 0985050103 | OVAL HEAD SCR. DIN7985-M 5X10 | | 1.00 |