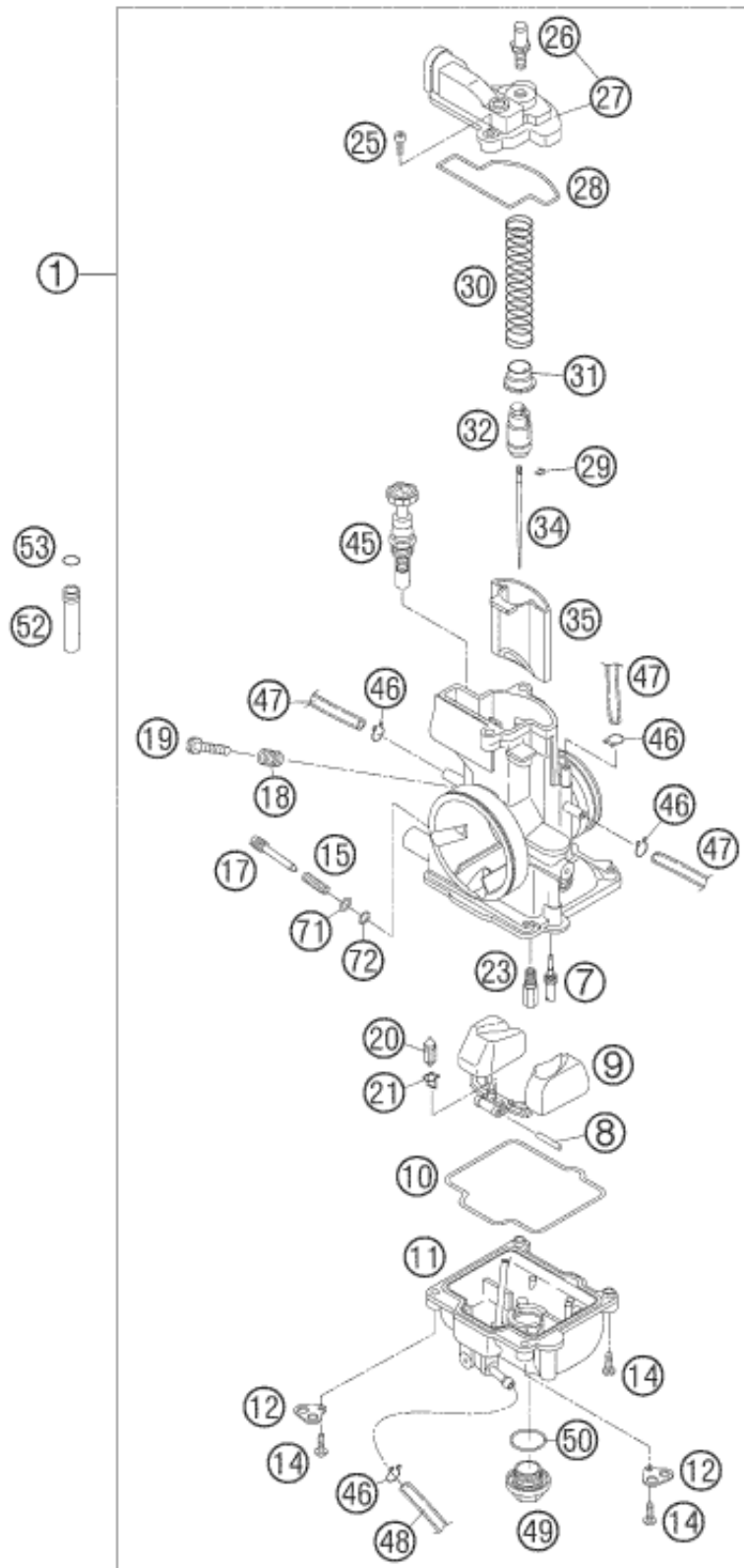




**ACHTUNG !!!**  
 Vor dem Einbau des Vergasers, Bedüsung kontrollieren.  
**CAUTION !!!**  
 Before mounting the carburetor, check the jetting.



| Pos | Part Number | Description | Additional Text | Quantity |
|-----|-------------|-------------|-----------------|----------|
|-----|-------------|-------------|-----------------|----------|

|     |             |                                |                              |      |
|-----|-------------|--------------------------------|------------------------------|------|
| 1   | 54831101144 | CARBURETOR PWK36-S AG 04       | MXC, EXC                     | 1.00 |
| 7   | 54531607035 | IDLE JET 35 KEIHIN             | 125/200 EXC                  | 1.00 |
| 7   | 54531607038 | IDLE JET 38 KEIHIN             | 450-650 FE+FS                | 0.00 |
| 7   | 54531607040 | IDLE JET 40 KEIHIN             | 450 SMR                      | 0.00 |
| 7   | 54531607042 | IDLE JET 42 KEIHIN             | 525 SMR                      | 1.00 |
| 7   | 54531607045 | IDLE JET 45 KEIHIN             | 200 MXC/EXC-USA              | 0.00 |
| 7   | 54531607048 | IDLE JET 48 KEIHIN             | 125 SX                       | 0.00 |
| 7   | 54531607050 | IDLE JET 50 KEIHIN             |                              | 0.00 |
| 8   | 57331008000 | ARM PIN FLOAT                  |                              | 1.00 |
| 9   | 57331009000 | FLOAT CPL.                     |                              | 1.00 |
| 10  | 54831010000 | GASKET FLOAT CHAMBER           |                              | 1.00 |
| 11  | 54831011000 | FLOAT CHAMBER PWK38-S AG       |                              | 1.00 |
| 12  | 54531612100 | RETAINING PLATE FOR BLEEDER    |                              | 2.00 |
| 14  | 0016040163  | HH COLLAR SCREW M 4X16 WS=6    |                              | 4.00 |
| 15  | 54531615000 | SPRING FOR ADJUSTMENT SCREW    |                              | 1.00 |
| 17  | 54531617000 | ADJUSTMENT SCREW               |                              | 1.00 |
| 18  | 54631118000 | SPRING                         |                              | 1.00 |
| 19  | 54631219100 | ADJUSTMENT SCREW M 5           |                              | 1.00 |
| 20  | 54631020000 | FLOAT VALVE CPL. PWK 38 AG PJ  |                              | 1.00 |
| 21  | 54531621000 | CLAMP                          |                              | 1.00 |
| 23  | 54531623155 | MAIN JET 155 KEIHIN            |                              | 0.00 |
| 23  | 54531623158 | MAIN JET 158 KEIHIN            |                              | 0.00 |
| 23  | 54531623160 | MAIN JET 160 KEIHIN            | MXC, EXC                     | 1.00 |
| 23  | 54531623162 | MAIN JET 162 KEIHIN            |                              | 0.00 |
| 23  | 54531623165 | MAIN JET 165 KEIHIN            | SX                           | 0.00 |
| 23  | 54531623168 | MAIN JET 168 KEIHIN            | SX                           | 1.00 |
| 23  | 54531623170 | MAIN JET 170 KEIHIN            |                              | 0.00 |
| 23  | 54531623172 | MAIN JET 172 KEIHIN            |                              | 0.00 |
| 23  | 54531623175 | MAIN JET 175 KEIHIN            | 250 EXC EU+AUS, 300 MXC, EXC | 0.00 |
| 23  | 54531623178 | MAIN JET 178 KEIHIN            | 200 MXC/EXC-USA              | 0.00 |
| 25  | 54831025000 | SPECIAL-AH-SCREW M 4X12        |                              | 2.00 |
| 26  | 54831029000 | THROTTLE CALBE HOLDER M6X0,75  |                              | 1.00 |
| 27  | 54831127000 | CARBURETOR COVER PWK36-S AG    | MXC, EXC                     | 1.00 |
| 28  | 54831028000 | GASKET FOR CARBURETOR COVER    |                              | 1.00 |
| 29  | 54531629000 | CLIP FOR JET NEEDLE            |                              | 1.00 |
| 30  | 54831030000 | SLIDING SPRING                 |                              | 1.00 |
| 31  | 54631231000 | SPRING CAP                     |                              | 1.00 |
| 32  | 54631232000 | NIPPLE                         |                              | 1.00 |
| 34* | 54531636004 | JET NEEDLE NOZ D KEIHIN        |                              | 0.00 |
| 34  | 54531636005 | JET NEEDLE NOZ E KEIHIN        | 200 MXC, EXC USA             | 0.00 |
| 34  | 54531636006 | JET NEEDLE NOZ F KEIHIN        | 200 MXC/EXC-USA              | 1.00 |
| 34  | 54531636007 | JET NEEDLE NOZ G KEIHIN        | SX                           | 0.00 |
| 34  | 54531636008 | JET NEEDLE NOZ H KEIHIN        | 300 MXC, EXC USA             | 0.00 |
| 34  | 54731034600 | JET NEEDLE KEIHIN N3CJ 04      | EXC EU+AUS                   | 1.00 |
| 34  | 54731034700 | JET NEEDLE KEIHIN N3EH         | MXC, EXC USA                 | 1.00 |
| 34  | 54731034900 | JET NEEDLE KEIHIN N3EW         |                              | 0.00 |
| 34  | 54731134000 | JET NEEDLE KEIHIN N3EG 04      |                              | 0.00 |
| 35* | 54631035000 | THROTTLE VALVE 7 FOR 38 PJ '00 | MXC, EXC                     | 1.00 |
| 35* | 54831035065 | THROTTLE VALVE 6.5 KEIHIN      | SX                           | 1.00 |
| 45  | 54631245000 | STARTER PISTON CPL.            |                              | 1.00 |

|     |             |                          |  |      |
|-----|-------------|--------------------------|--|------|
| 46  | 54531696000 | Clamp 6mm                |  | 5.00 |
| 47  | 31007007101 | PVC-HOSE 4X6MM           |  | 2.00 |
| 48  | 52031137001 | PVC-HOSE 3X5MM           |  | 0.00 |
| 49  | 57331014000 | HOLDING BOLT             |  | 1.00 |
| 50  | 0770180230  | O-RING 18,00X2,30 NBR 70 |  | 1.00 |
| 52  | 50331029038 | SLIDE STOP L=38MM        |  | 0.00 |
| 53  | 0770060018  | O-RING 6,07X1,78 FPM75   |  | 0.00 |
| 71* | 54831071000 | WASHER ADJUSTING SCREW   |  | 1.00 |
| 72* | 54831072000 | O-RING ADJUSTING SCREW   |  | 1.00 |

\* = New part