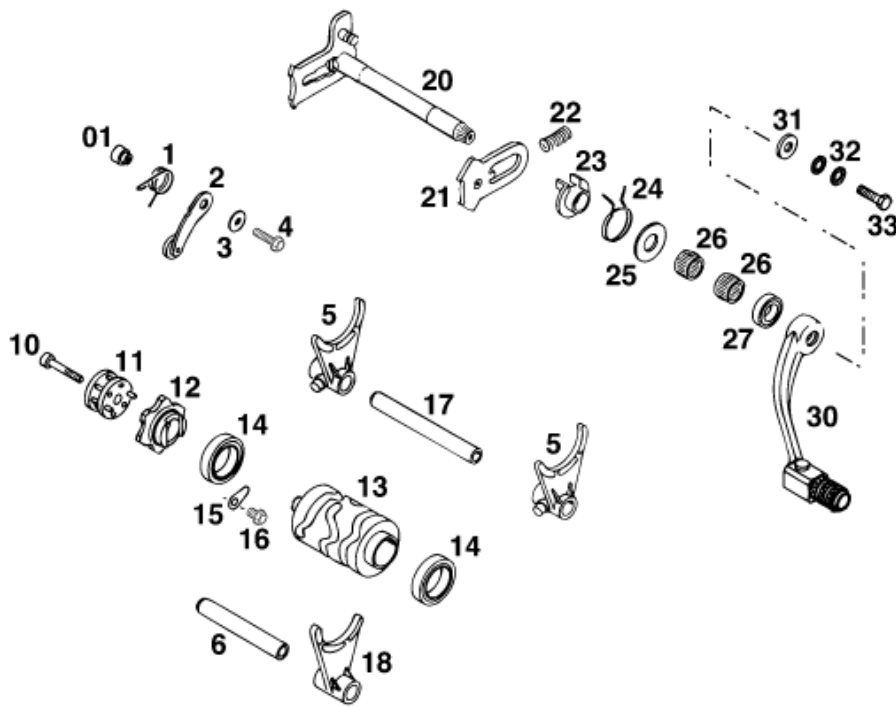


## ZUSAMMENBAU SCHALTUNG 250/300 '95



Pos	Part Number	Description	Additional Text	Quantity
1	54634023300	LOCKING LEVER SPRING '96		1.00
1	54634052300	SLEEVE FOR LOCKING LEVER		1.00
2	54634024144	LOCKING LEVER CPL '96		1.00
3	0021050003	washer DIN 9021 A - 5.3		1.00
4	0015050203	HH COLLAR SCREW M 5X20 WS=8		1.00
5	54634002100	SHIFTING FORK 1ST/3RD GEAR+2ND		2.00
6	54634003000	SHIFTING RAIL CRANKSHAFT		1.00
10	0984060300	AH SCREW DIN7984-M 6X30		1.00
11	54634013044	DRIVER F.SHIFT ROLLER W.NEED		1.00
12	54634015000	LOCKING ROLLER		1.00
13	54634012400	SHIFTROLLER ALU 250/300/360'95		1.00
14	0625618050	BALL BEARING 61805 C3		2.00
15	54634049000	RETAINING PLATE		2.00
16	0015060083	HH COLLAR SCREW M 6X8 WS=8	LC4, LC4 SM, DUKE	2.00
17	54634004000	SHIFTING RAIL CRANKSHAFT		1.00
18	54634001100	SHIFTING FORK 4TH/6TH GEAR		1.00
20	54634005044	SHIFTING SHAFT CPL		1.00
21	54634008000	SLIDING PLATE		1.00
22	56534013100	TENSIONING SPRING 0,8MM		1.00
23	54634020000	SPRING GUIDE		1.00
24	54634014100	RETURN SPRING 2,2MM '95		1.00

25	54634050000	STOP DISK 14X30X1	EXHAUST	1.00
26	54632095000	needle sleeve HK 1412 14x20x12		2.00
27	0760142460	radial shaft seal 14x24x6 B		1.00
30	54634031044	SHIFT LEVER CPL. 2-STROKE		1.00
31	50232050001	STEEL WASHER 6,4X17X3		1.00
32	50233041000	Pair of washers M6 NORDLOCK		1.00
33	0933060203	HH SCREW DIN0933-M 6X20		1.00