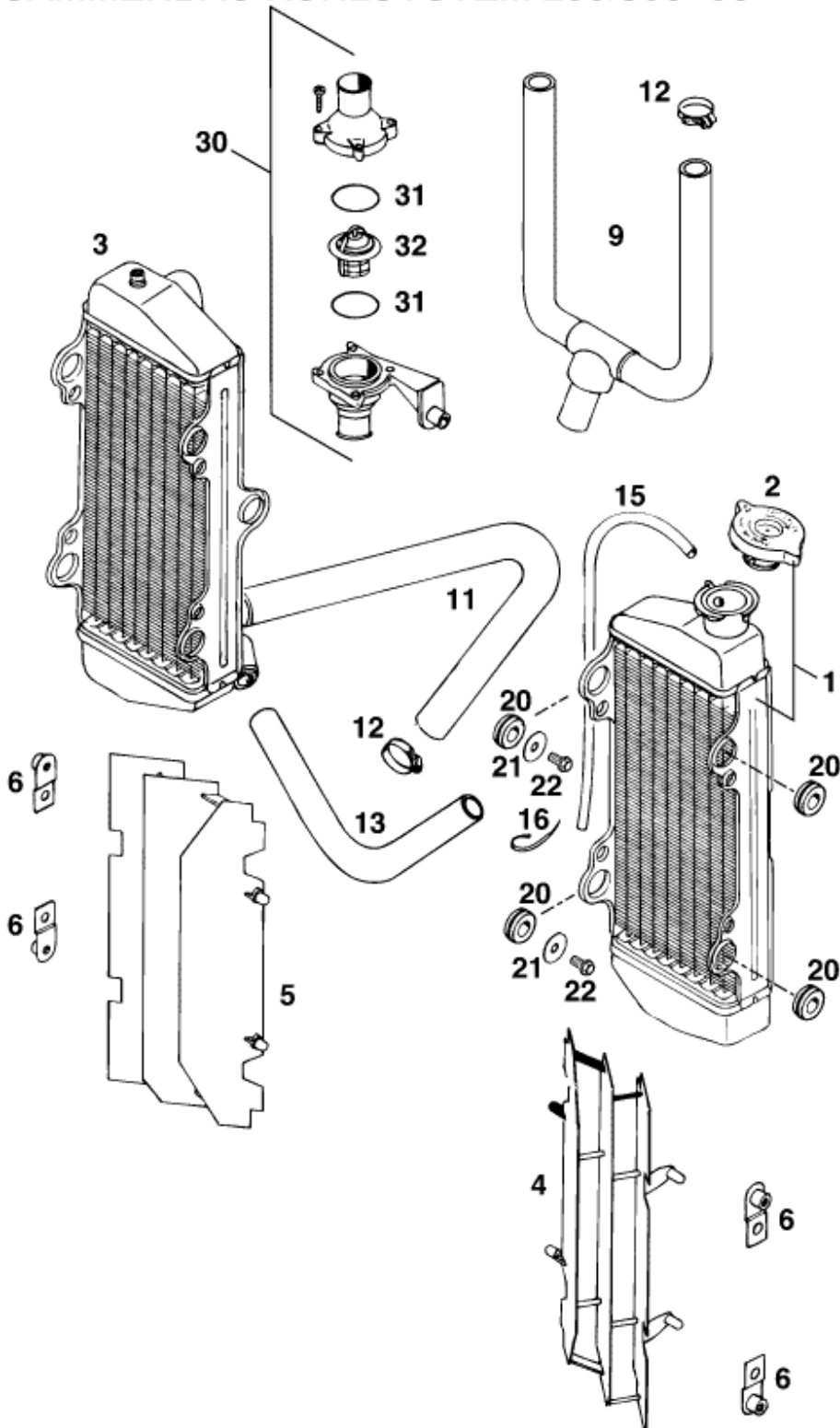


## ZUSAMMENBAU KÜHLSYSTEM 250/300 '95



Pos	Part Number	Description	Additional Text	Quantity
1	54635007500	RADIATOR L/S '95		1.00
2	58035016000	RADIATOR CAP SMALL 20,3 PSI		1.00
3	54635008500	RADIATOR R/S '95		1.00
4	54635034200	RADIATOR PROTECTION LEFT '95		1.00
5	54635134200	RADIATOR PROTECT.RIGHT '95		1.00
6	54635038100	CLAMP FOR SPOILER '92		4.00

9	54635026000	* RADIATOR HOSE 250/300 '94		1.00
11*	54635025100	PREFORMED RAD.HOSE 18X3MM '96		1.00
12	10001020000	HOSE CLAMP GEMI 18-29		0.00
13	56535027000	PREFORMED HOSE 18X24 90 DEGREE		1.00
15	55007016001	PVC-HOSE 7X10 PER METER		0.00
16	44011076155	* CABLE TIE 155MM		0.00
20	41001052000	RUBBER SLEEVE D=12MM		10.00
21	51006097000	WASHER 6,2X22X1,ST30,W.GALV.		4.00
22	0015060123	HH COLLAR SCREW M 6X12 WS=8		4.00
30	54635013044	THERMOSTAT HOUSING 55 DG '94		1.00
31	0770320020	O-RING 32,00X2,00		2.00
32	54635017000	THERMOSTAT 55 DEGREES '94		1.00

\* = New part